

# AILE<sup>®</sup>

**WORLD FAMOUS BRANDS**



# AILE<sup>®</sup>

• Automatic nozzles series

SHANGHAI  
AILE PETROLEUM  
EQUIPMENT  
MFG.CO.,LTD.

---

# Automatic Nozzles



## A2101-11A Series Of Automatic Nozzles

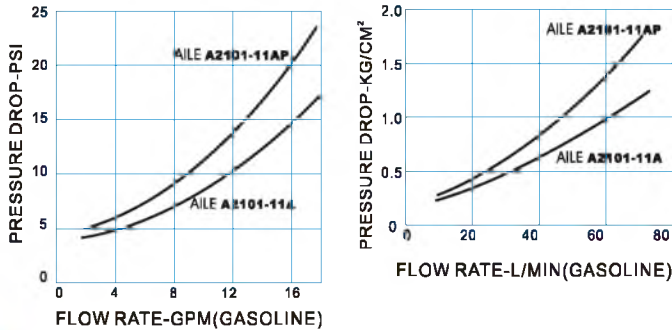
▶ **AILE**<sup>®</sup> A2101-11A series of automatic nozzles are designed for today's customers' demands. Small, trim, light weight, easy and convenient to operate, the AILE A2101-11A is a rugged performer that offers long life and reliable service.

▶ **Materials:**

**Body:** Aluminum  
**Seals:** Buna-N, Viton  
**Main stem seals:** Viton Cased Oil Seal / Graphite with Teflon  
**Main stem:** Stainless steel

▶ **Package:**

**Net Weight:** 1.225kg/pc  
**Gross Weight:** 1.5kg/pc  
**53.7x42.7x35.7 cm<sup>3</sup>/case of 15pc**  
**37.5x34x43 cm<sup>3</sup>/case of 10pc**



▶ **Ordering Specifications:**

Product #	Inlet size	Outlet diameter
A2101-11A	BSP3/4"/NPT3/4"	15/16"
A2101-11AP	BSP3/4"/NPT3/4"	13/16"

▶ **AILE**<sup>®</sup> A2101-11A



▶ **Features & Benefits:**

- ◆ **AILE**<sup>®</sup> A2101-11A Flow rate: 0-60 L/m (<sup>15</sup>/<sub>16</sub>" )  
**AILE**<sup>®</sup> A2101-11AP Flow rate: 0-45 L/m (<sup>13</sup>/<sub>16</sub>" )  
**Working Pressure:** 0.18Mpa
- ◆ **AILE**<sup>®</sup> A2101-11A Automatic Nozzles- for diesel, kerosene and all kinds of gasoline service.
- ◆ **Easily replaced spout-** simply removes the screw. Spout kits are available from AILE.
- ◆ **Low-profile aluminum body-** light weight, easier to handle, provides an attractive, image-enhancing appearance.
- ◆ **Vacuum Design:** Back-Sealing Design.
- ◆ **Selective casting process of body-** Sand casting technique or high-pressure casting technique. The high-pressure casting technique can reduce diesel foaming and static electricity.
- ◆ **Patent No:** ZL98247417.2
- ◆ **Hold-open rack is available for full service applications** the one hand control means easy setting to flow rate for customer's convenience.
- ◆ **Full hand insulator-** protects both nozzle and vehicle, and insulates user's hands.
- ◆ **Available Colors-** color chart on inside back cover
- ◆ **Selective splash guard.**
- ◆ **Selective Spout With Flowlock -** designed to shut-off automatically when the spout is tipped up, limiting spillage and " spit "
- ◆ **100% Factory Tested.**

▶ **Warning:**

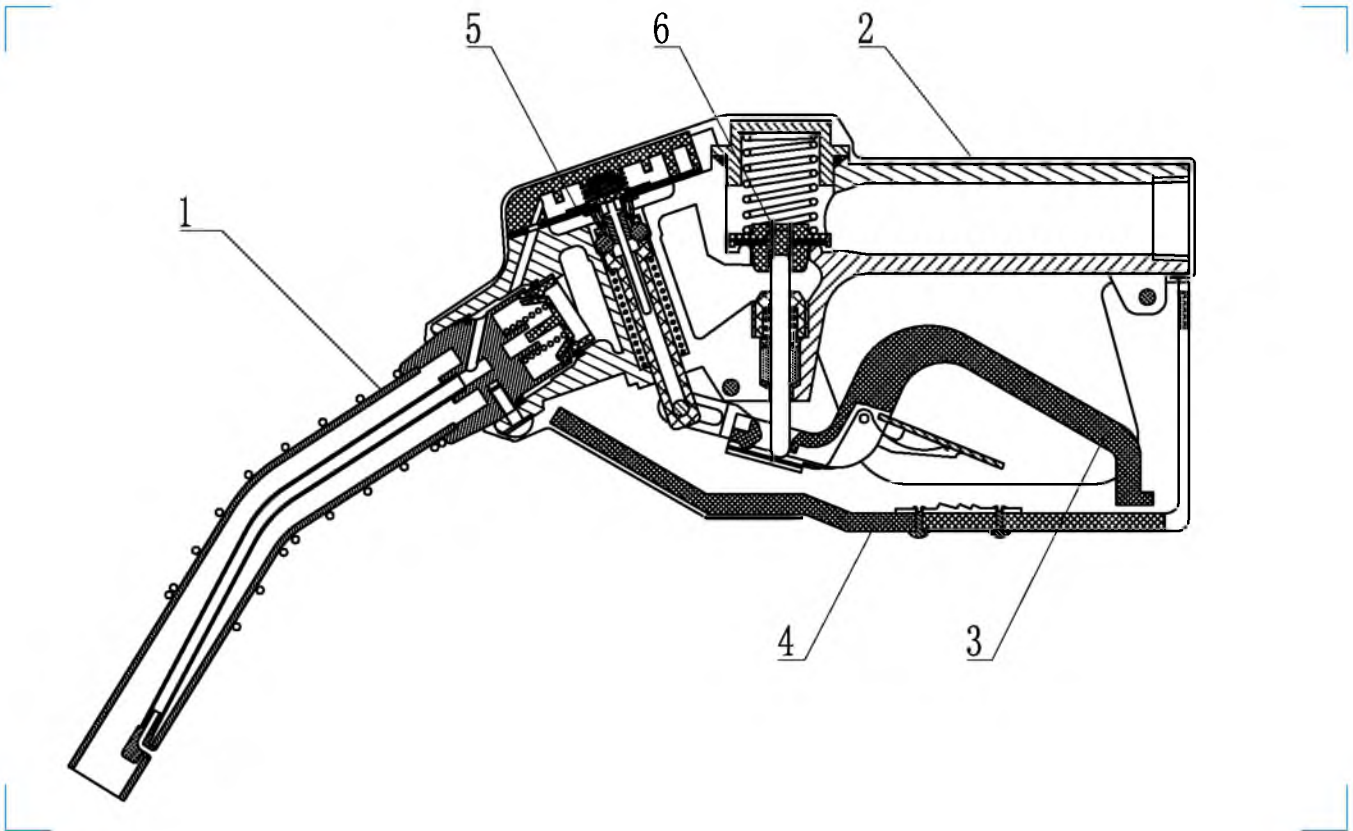
Using foreign objects to hold open automatic nozzles could result in failure to shut-off and personal injury.

▶ **AILE**<sup>®</sup> A2101-11AP



## A2101-11A Series Of Automatic Nozzles

► **AILE<sup>®</sup> A2101-11A Nozzle Shown**



► **Important:**

**AILE<sup>®</sup>** Products should be used in compliance with country, province and local Laws and regulations. Products selection should be based on physical specifications and limitations and compatibility with the environment and materials to be handled. AILE Makes no warranty of fitness for a particular use. All illustrations and specifications in this literature are based on the latest products information available at the time of publication, AILE reserves the right to make changes at any time in price, materials, specifications and models and to discontinue models without notice or obligation.

► **Replacement Parts:**

Key	Description	A2101-11A	A2101-11AP
1	Spout 13/16"		◆
1	Spout 15/16"	◆	
2	Full Hand Insulator	◆	◆
3	Lever Assembly	◆	◆
4	Lever Guard	◆	◆
5	Diaphragm Assembly	◆	◆
6	Main Valve Assembly	◆	◆



## A2101-11B Series Of Automatic Pressure-Sensitives Nozzles

▶ **AILE** A2101-11B series high-quality automatic Nozzles are designed specially for self-service prepay or card-lock system to help prevent gasoline spills. It can not be opened until the pumping system is pressurized and closes automatically when the pressure is removed. This means the AILE A2101-11B series nozzles are closed when placed back in the dispenser storage position.

▶ **Materials:**

**Body:** Aluminum

**Seals:** Buna-N, Viton

**Main stem seals:** Viton Cased Oil Seal / Graphite with Teflon

**Main stem:** Stainless steel

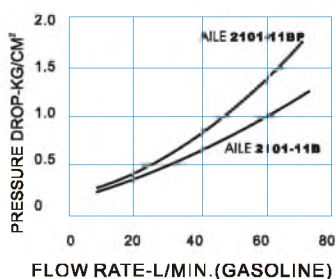
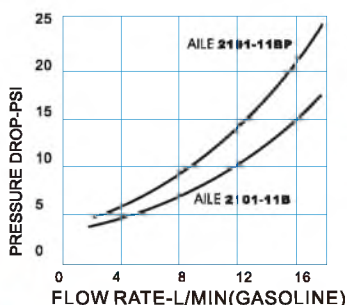
▶ **Package:**

**Net Weight:** 1.275kg/pc

**Gross Weight:** 1.5kg/pc

55x34x42.5 cm<sup>3</sup>/case of 15pc

37.5x34x43 cm<sup>3</sup>/case of 10pc



▶ **Ordering Specifications:**

Product #	Inlet size	Outlet diameter
A2101-11B	NPT3/4" / BSP3/4"	15/16"
A2101-11BP	NPT3/4" / BSP3/4"	13/16"

▶ **AILE** A2101-11B



▶ **Features & Benefits:**

◆ **AILE** A2101-11B Flow rate: 0-60 L/m (<sup>15</sup>/<sub>16</sub>" )

**AILE** A2101-11BP Flow rate: 0-45 L/m (<sup>13</sup>/<sub>15</sub>" )

◆ **Working Pressure:** 0.18Mpa

◆ **Accurate flow control-** allows your customers to top off their tank to the exact amount they want , and it's easy to stop gasoline flow precisely.

◆ **Easily replaced spout-** simply removes the screw. Spout kits are available from AILE.

◆ **Low profile aluminum body-** light weight, easier to handle, provides an attractive, image enhancing appearance.

◆ **Hold-open rack is available for full service applications**  
The one hand control means easy setting to flow rate for customer's convenience.

◆ **Exclusive Pressure Detecting Module-** the main valve can keep closed, even when held without enough pressure in hose.

◆ **Full hand insulator-** protects both nozzle and vehicle, and insulates users' hands.

◆ **Available Colors-** color chart on inside back cover

◆ **Selective splash guard.**

◆ **Selective Spout With Flowlock -** designed to shut-off automatically when the spout is tipped up, limiting spillage and " spit "

◆ **100% Factory Tested.**

▶ **Warning:**

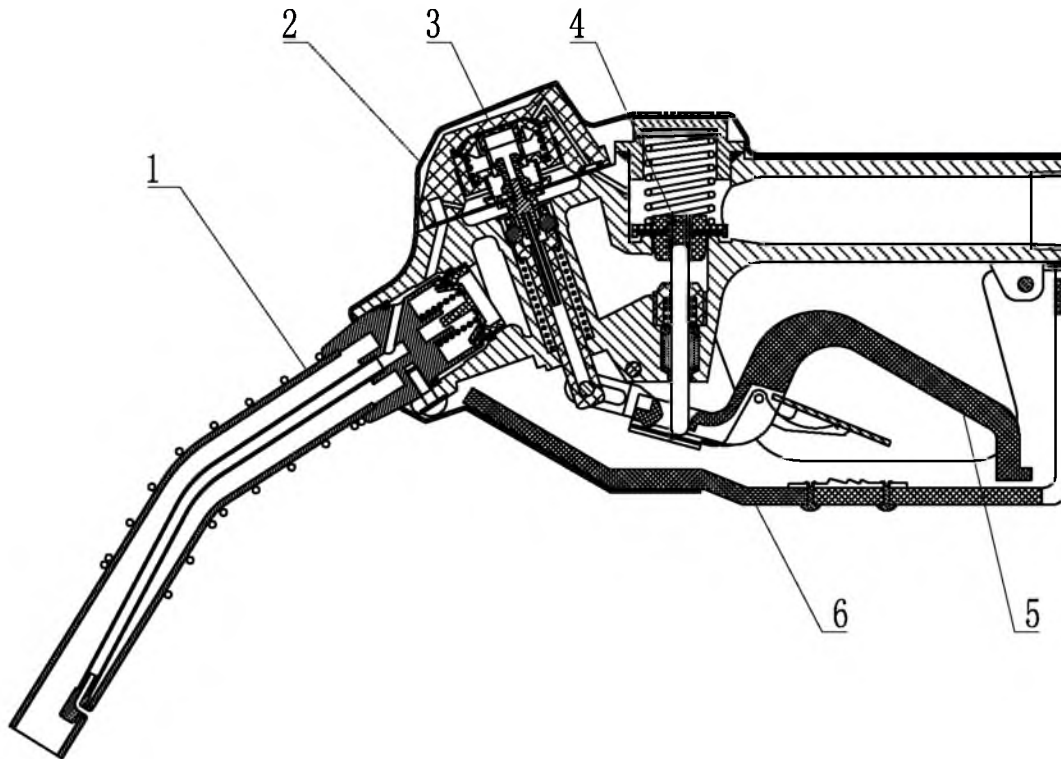
Using foreign objects to hold open automatic nozzles could result in failure to shut-off and personal injury.

▶ **AILE** A2101-11BP



## A2101-11B Series Of Automatic Pressure-Sensitives Nozzles

► **AILE<sup>®</sup> A2101-11B Nozzle Shown**



► **Important:**

**AILE<sup>®</sup>** Products should be used in compliance with country, province and local Laws and regulations. Products selection should be based on physical specifications and limitations and compatibility with the environment and materials to be handled. AILE Makes no warranty of fitness for a particular use. All illustrations and specifications in this literature are based on the latest products information available at the time of publication, AILE reserves the right to make changes at any time in price, materials, specifications and models and to discontinue models without notice or obligation.

► **Replacement Parts:**

Key	Description	A2101-11B	A2101-11BP
1	Spout 13/16"		◆
1	Spout 15/16"	◆	
2	Full Hand Insulator	◆	◆
3	Vacuum Assembly	◆	◆
4	Main Valve Assembly	◆	◆
5	Lever Assembly	◆	◆
6	lever Guard	◆	◆



## 120L Series Of Automatic Shut-Off Nozzles

▶ For Heavy-Duty, High-Flow Truck stop, Bus and Fleet Service If you operate a full-service truck-stop, refuel your own fleet, or manage a card-lock refueling location, the low cost, long life and durability of the AILE 120L high flow nozzle can help increase your productivity, sales and profits.

▶ **Materials:**

**Body:** Aluminum

**Seals:** Buna-N, Viton

**Main stem seals:** Viton Cased Oil Seal / Graphite with Teflon

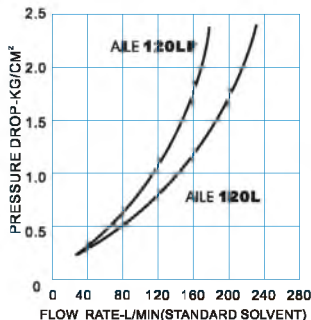
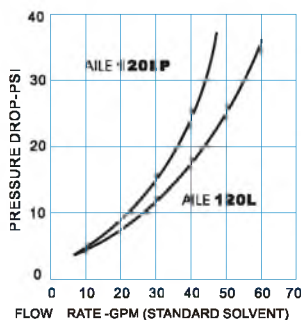
**Main stem:** Stainless steel

▶ **Package:**

**Net Weight:** 1.6kg/pc

**Gross Weight:** 1.9kg/pc

45x40x32.5cm<sup>3</sup>/case of 10pc



▶ **Ordering Specifications:**

Product #	Inlet size	Outlet diameter
120L	NPT1" / BSP1"	1 <sup>3</sup> / <sub>16</sub> "
120LP	NPT1" / BSP1"	1"

▶ **AILE 120L**



▶ **Features & Benefits:**

◆ **AILE 120L Flow rate:** 0-120L/m(1<sup>3</sup>/<sub>16</sub>" )

**AILE 120LP Flow rate:** 0-90 L/m (1")

**Working Pressure:** 0.18Mpa

◆ **AILE 120L Automatic Nozzles**

for diesel, kerosene and all kinds of gasoline service.

◆ **Even, smooth, spray pattern-** minimizes diesel foaming and false shut-offs.

◆ **Three position hold-open device-** one finger control of hold-open mechanism means easy setting of flow rate.

◆ **Easily replaced spout-** simply removes three screws. Replacement kits are available from AILE.

◆ **Spout retaining ring-** adds extra measure in securing nozzle spout in fill pipe.

◆ **Dual poppet valves-** easy to open nozzle against high pressure.

◆ **Full hand insulator-** protects both nozzle and vehicle, and insulates users' hands.

◆ **Available Colors -** color chart on inside back cover

◆ **Selective Spout With Flowlock -** designed to shut-off automatically when the spout is tipped up, limiting spillage and " spit "

◆ **100% Factory Tested.**

▶ **Warning:**

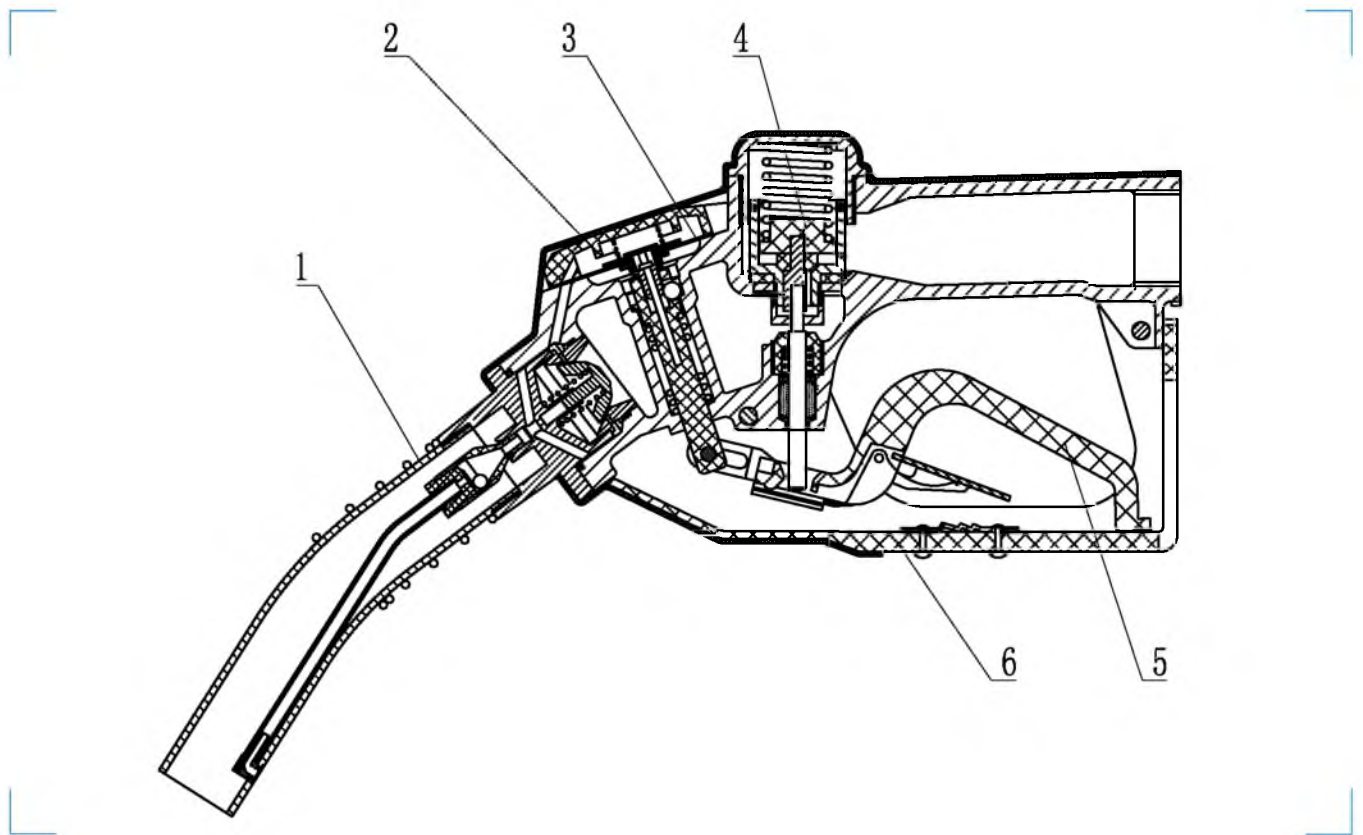
Do not use AILE-120L Nozzles with a hold-open device on prepay self-service installations. Using foreign objects to hold-open automatic nozzles could result in failure to shut-off and personal injury.

▶ **AILE 120LP**



## 120L Series Of Automatic Shut-Off Nozzles

► **AILE<sup>®</sup> 120L Nozzle Shown**



► **Important:**

**AILE<sup>®</sup>** Products should be used in compliance with country, province and local Laws and regulations. Products selection should be based on physical specifications and limitations and compatibility with the environment and materials to be handled. AILE Makes no warranty of fitness for a particular use. All illustrations and specifications in this literature are based on the latest products information available at the time of publication, AILE reserves the right to make changes at any time in price, materials, specifications and models and to discontinue models without notice or obligation.

► **Replacement Parts:**

Key	Description	AILE 120L	AILE 120LP
1	Spout 1"		◆
1	Spout 1 <sup>3</sup> / <sub>16</sub> "	◆	
2	Full Hand Insulator	◆	◆
3	Diaphragm Assembly	◆	◆
4	Main Valve Assembly	◆	◆
5	Lever Assembly	◆	◆
6	Lever Guard	◆	◆





## 120LB Series Of Automatic Pressure-Sensitive Shut-Off Nozzles

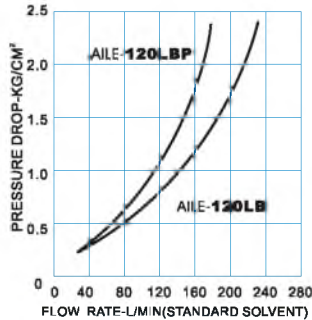
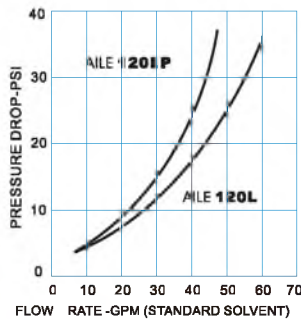
► For Heavy-Duty, High-Flow Truck stop, Bus and Fleet Service If you operate a full-service petrol station, refuel your own fleet, or manage a card-lock refueling location, the low cost, long life and durability of the AILE 120LB high flow nozzle can help increase your productivity, sales and profits.

► **Materials:**

**Body:** Aluminum  
**Seals:** Buna-N, Viton  
**Main stem seals:** Viton Cased Oil Seal / Graphite with Teflon  
**Main stem:** Stainless steel

► **Package:**

**Net Weight:** 1.6kg/pc  
**Gross Weight:** 1.9kg/pc  
 45x40x32.5cm<sup>3</sup>/case of 10pc



► **Ordering Specifications:**

Product #	Inlet size	Outlet diameter
120LB	NPT1" / BSP1"	1 <sup>3</sup> / <sub>16</sub> "
120LBP	NPT1" / BSP1"	1"

► **AILE 120LB**



► **Features & Benefits:**

- ◆ **AILE 120LB Flow rate:** 0-120L/m (1<sup>13</sup>/<sub>16</sub>" )
- ◆ **AILE 120LBP Flow rate:** 0-90 L/m (1")
- ◆ **Working Pressure:** 0.18Mpa
- ◆ **AILE 120LB Automatic Nozzles** for diesel, kerosene and all kinds of gasoline service.
- ◆ **Even, smooth, spray pattern-** minimizes diesel foaming and false shut-offs.
- ◆ **Exclusive Pressure Detecting Module-** the main valve can keep closed, even when held without enough pressure in hose.
- ◆ **Three position hold-open device-** one finger control of hold-open mechanism means easy setting of flow rate.
- ◆ **Easily replaced spout-** simply removes three screws. Replacement kits are available from AILE .
- ◆ **Spout retaining ring-** adds extra measure in securing nozzle spout in fill pipe.
- ◆ **Dual poppet valves-** easy to open nozzle against high pressure.
- ◆ **Full hand insulator-** protects both nozzle and vehicle, and insulates users' hands.
- ◆ **Available Colors-** color chart on inside back cover
- ◆ **Selective Spout With Flowlock -** designed to shut-off automatically when the spout is tipped up, limiting spillage and " spit "
- ◆ **100% Factory Tested.**

► **Warning:**

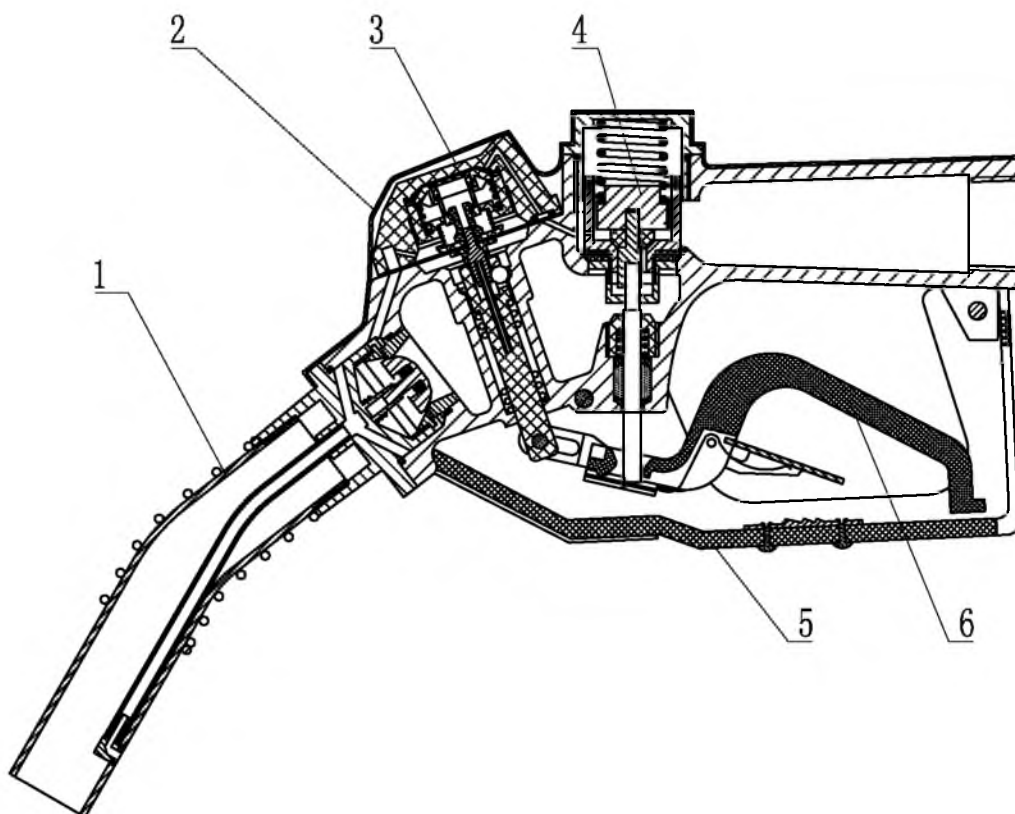
Do not use AILE 120LB Nozzles with a hold-open device on prepay self-service installations. Using foreign objects to hold-open automatic nozzles could result in failure to shut-off and personal injury.

► **AILE 120LBP**



## 120LB Series Of Automatic Pressure-Sensitive Shut-Off Nozzles

► **AILE<sup>®</sup> 120LB Nozzle Shown**



► **Important:**

**AILE**<sup>®</sup> Products should be used in compliance with country, province and local Laws and regulations. Products selection should be based on physical specifications and limitations and compatibility with the environment and materials to be handled. AILE Makes no warranty of fitness for a particular use. All illustrations and specifications in this literature are based on the latest products information available at the time of publication, AILE reserves the right to make changes at any time in price, materials, specifications and models and to discontinue models without notice or obligation.

► **Replacement Parts:**

Key	Description	AILE 120LB	AILE 120LBP
1	Spout 1"		◆
1	Spout 1 <sup>3</sup> / <sub>16</sub> "	◆	
2	Full Hand Insulator	◆	◆
3	Pressure Detecting Module	◆	◆
4	Main Valve Assembly	◆	◆
5	Lever Guard	◆	◆
6	Lever Assembly	◆	◆



## A2111-15A Series Of Automatic Nozzles

▶ For petroleum station service with diesel, kerosene and all kinds of gasoline. AILE A2111-15A nozzle can help improve your efficiency.

▶ **Materials:**

**Body:** Aluminum

**Seals:** Buna-N, Viton

**Main stem seals:** Viton Cased Oil Seal

**Main stem:** Stainless steel

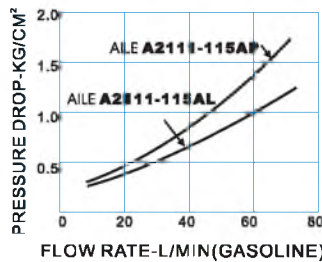
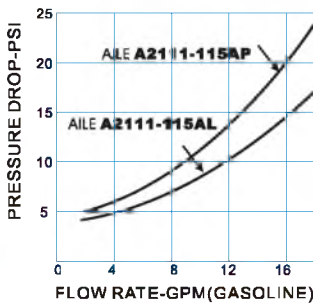
▶ **Package:**

**Net Weight:** 1.5kg/pc

**Gross Weight:** 1.8kg/pc

55x34x42.5 cm<sup>3</sup>/case of 15pc

37.5x34x43 cm<sup>3</sup>/case of 10pc



▶ **Ordering Specifications:**

Product #	Inlet size	Outlet diameter
A2111-15AP	NPT1" / BSP1"	13/16"
A2111-15AL	NPT1" / BSP1"	15/16"

▶ **Features & Benefits:**

◆ **AILE<sup>®</sup> A2111-15AP** Flow rate: 0-45 L/m (<sup>13</sup>/<sub>16</sub>" )

**AILE<sup>®</sup> A2111-15AL** Flow rate: 0-60 L/m (<sup>15</sup>/<sub>16</sub>" )

**Working Pressure:** 0.18Mpa

◆ **AILE<sup>®</sup> A2111-15A Automatic Nozzles**

For diesel , kerosene and all kinds of gasoline service.

◆ **Dual poppet valve-** easy to open nozzles against high inlet pressure.

◆ **Accurate flow control-** allows your customer to top off their tank to the exact amount they want and it's easy to stop gasoline flow precisely.

◆ **Low profile aluminum body-** light weight, easier to handle, provides an attractive, image enhancing appearance. High pressure casting technique reduce foaming and static electricity.

◆ **Easily replaced spout-** simply removes two screws. Spout kits are available from AILE.

◆ **Concealed hold-open rack-** means easy setting of flow rate.

◆ **Full hand insulator-** protects both nozzle and vehicle, and insulates users' hands.

◆ **Available Colors-** color chart on inside back cover

◆ **Selective splash guard.**

◆ **Selective Spout With Flowlock** - designed to shut-off automatically when the spout is tipped up, limiting spillage and " spit "

◆ **100% Factory Tested.**

▶ **Warning:**

Using foreign objects to hold open automatic nozzles could result in failure to shut-off and personal injury.

▶ **AILE<sup>®</sup> A2111-15AP**

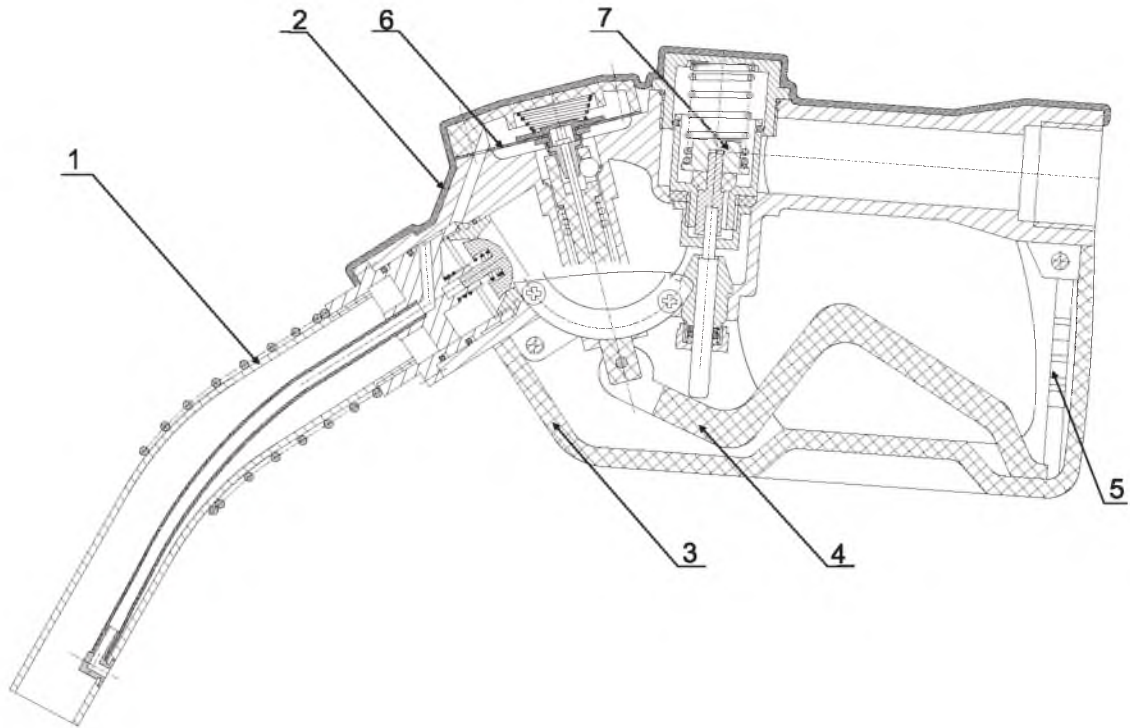


▶ **AILE<sup>®</sup> A2111-15AL**



## A2111-15A Series Of Automatic Nozzles

► **AILE<sup>®</sup> A2111-15A Nozzle Shown**



► **Important:**

**AILE<sup>®</sup>** Products should be used in compliance with country, province and local Laws and regulations. Products selection should be based on physical specifications and limitations and compatibility with the environment and materials to be handled. AILE Makes no warranty of fitness for a particular use. All illustrations and specifications in this literature are based on the latest products information available at the time of publication, AILE reserves the right to make changes at any time in price, materials, specifications and models and to discontinue models without notice or obligation.

► **Replacement Parts:**

Key	Description	A2111-15AL	A2111-15AP
1	Spout 13/16"		◆
1	Spout 15/16"	◆	
2	Full Hand Insulator	◆	◆
3	Lever - Guard	◆	◆
4	Lever	◆	◆
5	Gear Plate	◆	◆
6	Diaphragm Assembly	◆	◆
7	Main Valve Assembly	◆	◆



## ZYQ-13A Series Of Automatic Nozzles

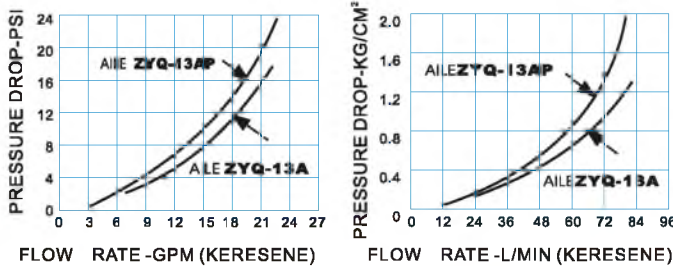
▶ **AILE**<sup>®</sup> ZYQ-13A Automatic nozzles are designed for today's customers' ideals. Small, trim, light weight, easy and convenient to use. It is a rugged performer that offers long life and reliable service.

▶ **Materials:**

**Body:** Aluminum  
**Seals:** Buna-N, Viton, Polyurethane  
**Main stem seals:** Viton Cased Oil Seal  
**Main stem:** Stainless steel

▶ **Package:**

**Net Weight:** 1.7kg/pc  
**Gross Weight:** 2.0kg/pc  
 55x34x42.5 cm<sup>3</sup>/case of 15pc  
 37.5x34x43 cm<sup>3</sup>/case of 10pc



▶ **Features & Benefits:**

- ◆ **AILE**<sup>®</sup> ZYQ-13A Flow rate: 0-70 L/m (<sup>15</sup>/<sub>16</sub>" )
- ◆ **AILE**<sup>®</sup> ZYQ-13AP Flow rate: 0-45 L/m (<sup>13</sup>/<sub>16</sub>" )
- ◆ **Working Pressure:** 0.18Mpa
- ◆ **Compound Main valve and bleed poppet**  
Tight structure, attractive appearance. Minimum pressure Loss and offer a maximum flow rate
- ◆ **Accurate flow control-**  
It allows customers to top off their tank to the exact amount that they want , and it's easy to stop gasoline flow precisely.
- ◆ **Easily replaced 360° rotation swivel-** prevents the hose from curling up.
- ◆ **Hold-open rack is available for full-** service applications. The one hand control means easy setting to flow rate for customer's convenience.
- ◆ **Spout with gear:** Making it to be holding on the spout of tank without hand, improving your efficiency.
- ◆ **All nozzles with Flow-lock:** designed to shut-off automatically when the spout is tripped up, limiting spillage " spit " .
- ◆ **Hand insulator-** protects both nozzle and vehicle, and insulates users' hands.
- ◆ **Available Colors-** color chart on inside back cover
- ◆ **Selective splash guard.**
- ◆ **100% Factory Tested**

▶ **Ordering Specifications:**

Product #	Inlet size	Outlet diameter	Lever-Guard materials
ZYQ 13A	NPT3/4" / BSP3/4" / NPT1" / BSP1"	15/16"	PA66
ZYQ 13AP	NPT3/4" / BSP3/4" / NPT1" / BSP1"	13/16"	PA66
ZYQ 13A-L	NPT3/4" / BSP3/4" / NPT1" / BSP1"	15/16"	Aluminum
ZYQ 13AP-L	NPT3/4" / BSP3/4" / NPT1" / BSP1"	13/16"	Aluminum

▶ **Warning:**

Using foreign objects to hold open automatic nozzles could result in failure to shut-off and personal injury.

▶ **AILE**<sup>®</sup> ZYQ-13A

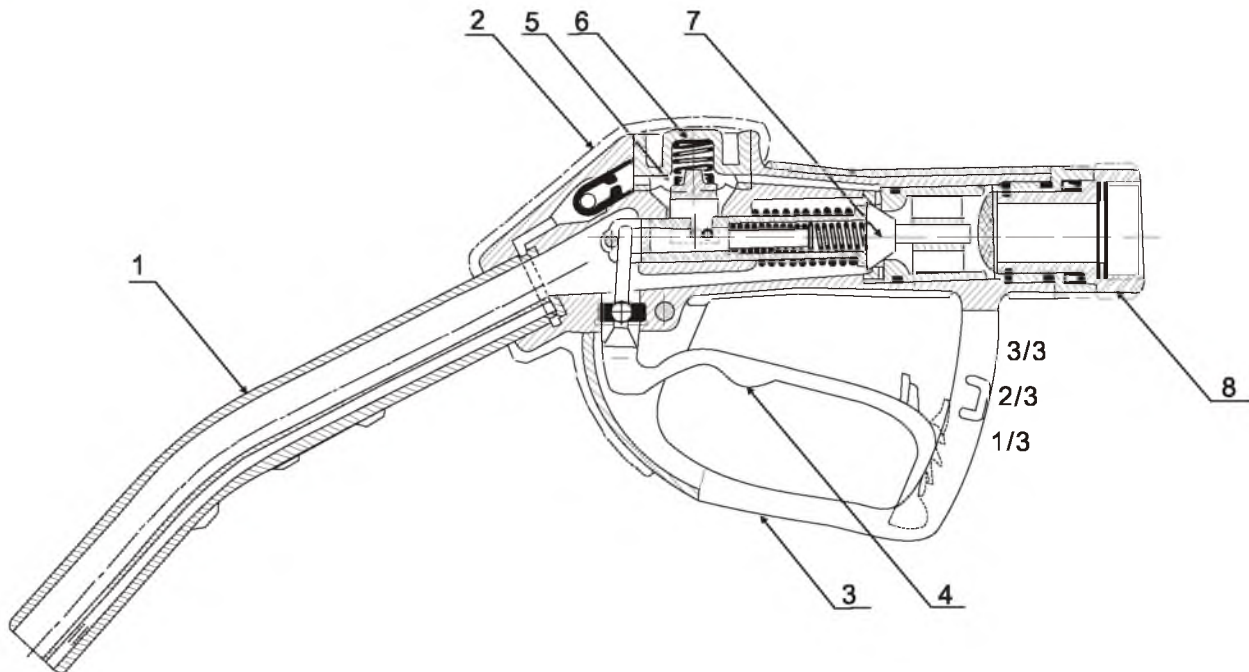
▶ **AILE**<sup>®</sup> ZYQ-13AP

▶ **AILE**<sup>®</sup> ZYQ-13AP-L



## ZYQ-13A Series Of Automatic Nozzles

► **AILE<sup>®</sup> ZYQ-13A Nozzle Shown**



► **Important:**

**AILE** Products should be used in compliance with country, province and local Laws and regulations. Products selection should be based on physical specifications and limitations and compatibility with the environment and materials to be handled. AILE Makes no warranty of fitness for a particular use. All illustrations and specifications in this literature are based on the latest products information available at the time of publication, AILE reserves the right to make changes at any time in price, materials, specifications and models and to discontinue models without notice or obligation.

► **Replacement Parts:**

Key	Description	ZYQ13A	ZYQ13AP
1	Spout 13/16"		◆
1	Spout 15/16"	◆	
2	Full Hand Insulator	◆	◆
3	Lever-Guard	◆	◆
4	Lever Assembly	◆	◆
5	Diaphragm Assembly	◆	◆
6	Vac Cap	◆	◆
7	Main Valve	◆	◆
8	Swivel BSP 3/4"/NPT3/4"/ BSP 1"/NPT1"	◆	◆



## ZYQ-25A Series Of Automatic Nozzles

▶ **AILE**<sup>®</sup> ZYQ-25A Automatic nozzles are designed for today's customers' ideals. For Heavy-Duty, High-Flow Truck stop, Bus and Fleet Service. Light weight, easy and convenient to use. It is a rugged performer that offers long life and reliable service.

▶ **Materials:**

**Body:** Aluminum  
**Seals:** Buna-N, Viton  
**Main stem seals:** Viton Cased Oil Seal  
**Main stem:** Stainless steel

▶ **Package:**

**Net Weight:** 1.6kg/pc  
**Gross Weight:** 2.0kg/pc  
 55x34x32.2 cm<sup>3</sup>/case of 10pc

▶ **Ordering Specifications:**

Product #	Inlet size	Outlet diameter	Lever-Guard materials
ZYQ 25A-801	NPT1" male	1 3/16"	PA66
ZYQ 25A-802	NPT1" Female	1 3/16"	PA66
ZYQ 25A-803	BSPT1" male	1 3/16"	PA66
ZYQ 25A-804	BSPT1" Female	1 3/16"	PA66
ZYQ 25A-805	BSPP1" male	1 3/16"	PA66
ZYQ 25A-806	BSPP1" Female	1 3/16"	PA66
ZYQ 25A-L-821	NPT1" male	1 3/16"	Aluminum
ZYQ 25A-L-822	NPT1" Female	1 3/16"	Aluminum
ZYQ 25A-L-823	BSPT1" male	1 3/16"	Aluminum
ZYQ 25A-L-824	BSPT1" Female	1 3/16"	Aluminum
ZYQ 25A-L-825	BSPP1" male	1 3/16"	Aluminum
ZYQ 25A-L-826	BSPP1" Female	1 3/16"	Aluminum

▶ **Features & Benefits:**

- ◆ **AILE**<sup>®</sup> ZYQ-25A Flow rate: 0-120L/m(1 3/16")
- ◆ **Working Pressure:** 0.18Mpa
- ◆ **Compound Main valve and bleed poppet**  
Tight structure, attractive appearance. Minimum pressure Loss and offer a maximum flow rate
- ◆ **Accurate flow control-**  
It allows customers to top off their tank to the exact amount that they want, and it's easy to stop gasoline flow precisely.
- ◆ **Easily replaced 360° rotation swivel-** prevents the hose from curling up.
- ◆ **Hold-open rack is available for full-service applications.** The one hand control means easy setting to flow rate for customer's convenience.
- ◆ **Spout with gear:** Making it to be holding on the spout of tank without hand, improving your efficiency.
- ◆ **All nozzles with Flow-lock:** designed to shut-off automatically when the spout is tripped up, limiting spillage " spit " .
- ◆ **Hand insulator-** protects both nozzle and vehicle, and insulates users' hands.
- ◆ **100% Factory Tested**

▶ **Replacement Parts:**

Key	Description	ZYQ-25A
1	Spout 1 3/16"	
2	Hand Insulator	◆
3	Lever-Guard	◆
4	Lever Assembly	◆
5	Diaphragm Assembly	◆
6	Vac Cap	◆
7	Main Valve	◆
8	Swivel BSP 1"/NPT1"	◆

▶ **AILE**<sup>®</sup> ZYQ-25A

▶ **AILE**<sup>®</sup> ZYQ-25A-L

▶ **AILE**<sup>®</sup> ZYQ-25A Nozzle Shown



## A1290 Automatic Shut-off Nozzle

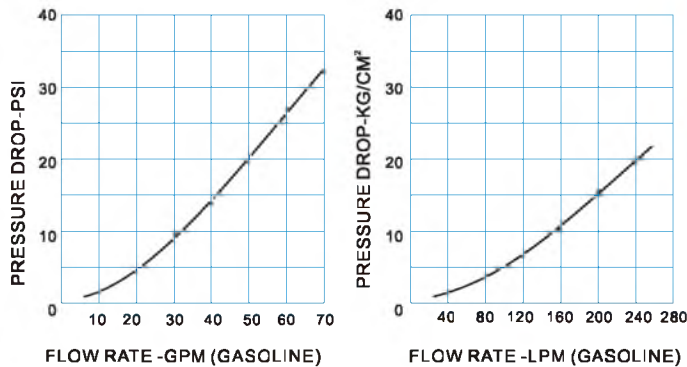
► For Heavy-Duty, High-Flow Truck, Bus, and Home Fuel Oil Delivery Service.

► **Materials:**

**Body:** Cast aluminum  
**Seals:** Buna-N,  
**Main stem :** Stainless steel  
**Spout:** Aluminum

► **Package:**

**Net Weight:** 3.25kg / pc  
**Gross Weight:** 4kg /pc  
 44.2x33.5x40.7cm<sup>3</sup>/ case of 4pc



► **Ordering Specifications:**

Product #	Inlet size	Outlet diameter
1290-801	NPT1 1/2"	38mm
1290-802	BSPT1 1/2"	38mm

► **AILE A1290**



► **Features & Benefits:**

- ◆ **Aluminum Body-** Light weight and easy to operate.
- ◆ **Two-position hold-open device.**
- ◆ **One-hand control of hold-open mechanism-** means easy setting of flow rate.
- ◆ **Easily replaced spout-** simply removes the spout retainer nut.
- ◆ **Dual poppets-** make nozzle easy to open against high inlet pressure.
- ◆ **Right angle design-** provides large lever area for better grip and easier control, permitting the nozzle to fit into awkward space close to walls and into corners.
- ◆ **100% Factory Tested.**

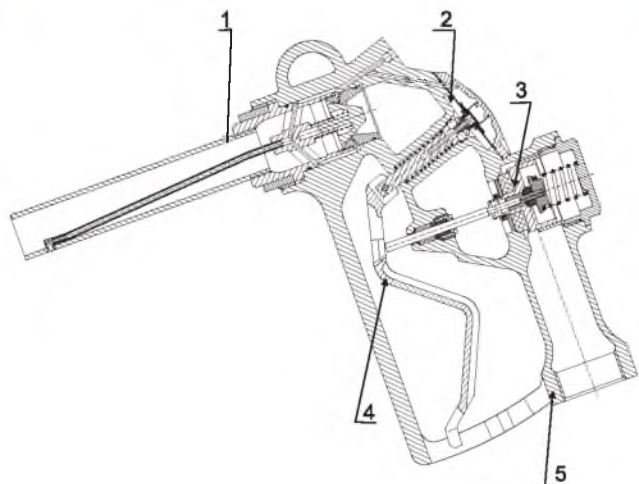
► **Warning:**

Using foreign objects to hold open automatic nozzles could result in failure to shut-off and personal injury.

► **Replacement Parts:**

Key	Description
1	Spout Assembly
2	Diaphragm Assembly
3	Main Valve Assembly
4	Lever
5	Body

► **AILE A1290 Nozzle Shown**





## Nozzle Assemblies



► All **AILE** Automatic Nozzles are furnished complete with a full PVC hand insulator. Available in a variety of colors, it is easy to match new color scheme or replace soiled insulators without removing the nozzle from the hose.

► **Ordering Specifications:**

Product#	Used On	Price
11A-C01	A2101-11A&AP	
11A-C02	A2101-11A&AP(No Mark)	
11B-C03	A2101-11B&BP	
11B-C04	A2101-11B&BP(Half Cover)	
11A-C05	A2000-11A&AP / 2001-11A&AP	

► **Ordering Specifications:**

Product#	Used On	Price
15A-C06	A2111-15A & AP & AL	
120L-C07	AILE-120L & LP	
120LB-C08	AILE-120LB & LBP	

► **Ordering Specifications:**

Product#	Used On	Price
13A-C08	ZYQ-13A & AP	
11VAI-C09	11VAI	
Splash Guard	11A / 11AP / 11B / 11BP / 13A / 13AP	

► **AILE** Splash Guard-it also enhances the appearance of your nozzle, and makes dispensing gasoline more pleasant for your customers. It won't deform or crack in cold weather.



## Nozzle Assemblies



► **AILE** Automatic Nozzle Diaphragm Assembly

► **Ordering Specifications:**

Product#	Used On	Price
Da01	A2101-11A&AP / 120L & LP	
DA02	A2001-11A&AP / A2000-11A & AP	
DA03	ZYQ-13A & AP	
DA04	A2111-15A & AL & AP	
DA05	A1290	
DA06	A2101-11B&BP / 120LB & LBP	

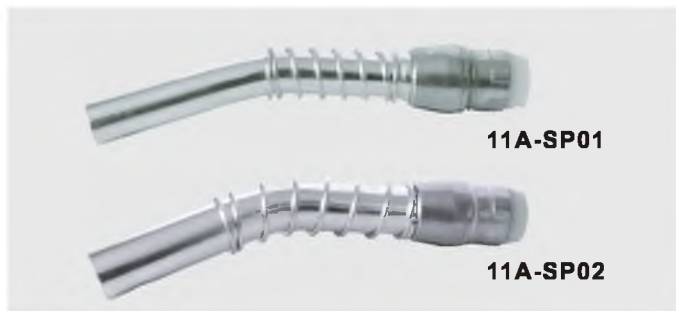
► **AILE** Lever & Lever-Guard Assembly

► **Ordering Specifications:**

Product#	Used On	Price
GR01	A2101-11A&AP A2101-11B&11BP 120L & LP&LB&LBP	
GR02	ZYQ-13A & AP	
HA03	ZYQ-13A & AP	
VAI-C04	11VAI	
LEV01	A2101-11A&AP A2101-11B&11BP 120L & LP&LB&LBP	
LEV02	ZYQ-13A & AP	

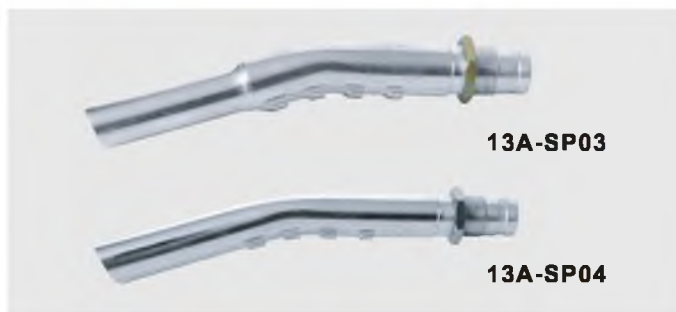


## Series Of Spouts



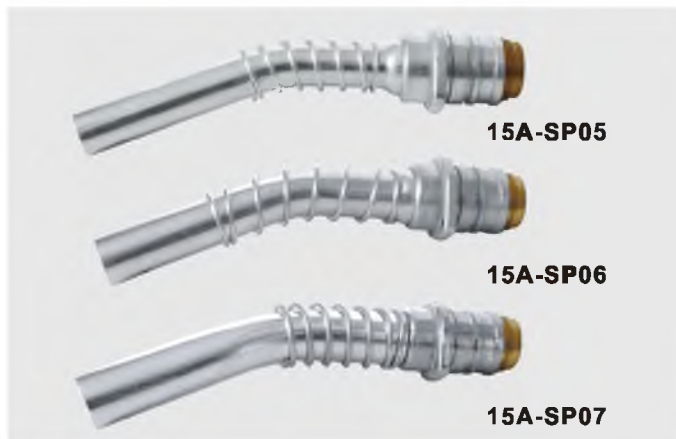
11A-SP01

11A-SP02



13A-SP03

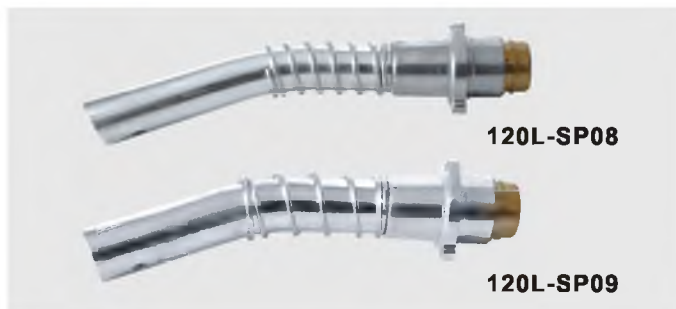
13A-SP04



15A-SP05

15A-SP06

15A-SP07



120L-SP08

120L-SP09



11VAI-SP10

▶ ALLE series nozzles can be continuously used by replacing the spout.

▶ **11A-SP01、11A-SP02 Package:**

**Net Weight:** 0.21kg/pc

**Gross Weight:** 0.25kg/pc

56x23.5x40cm<sup>3</sup>/case of 100pc

▶ **13A-SP03、13A-SP04 Package:**

**Net Weight:** 0.18kg/pc

**Gross Weight:** 0.22kg / pc

56x23.5x40cm<sup>3</sup>/case of 100pc

▶ **15A-SP05、15A-SP06、15A-SP07 Package:**

**Net Weight:** 0.255kg/pc

**Gross Weight:** 0.32kg / pc

56.5x23.5x38.5cm<sup>3</sup>/case of 50pc

▶ **120L-SP08、120L-SP09 Package:**

**Net Weight:** 0.34kg/pc

**Gross Weight:** 0.4kg / pc

56.5x23.5x38.5cm<sup>3</sup>/case of 50pc

▶ **11VAI-SP10 Package:**

**Net Weight:** 0.4kg/pc

**Gross Weight:** 0.46kg / pc

23.5x60x31cm<sup>3</sup>/case of 50pc

▶ **Ordering Specifications:**

Product#	Used On	Outlet Size	Price
11A-SP01	A2101-11AP&BP	13/16"	
	A2000-11AP		
	A2001-11AP		
11A-SP02	A2101-11A&B	15/16"	
	A2000-11A		
	A2001-11A		
13A-SP03	ZYQ-13AP	13/16"	
13A-SP04	ZYQ-13A	15/16"	
15A-SP05	A2111-15Ap	13/16"	
15A-SP06	A2111-15AL	15/16"	
15A-SP07	A2111-15A	1"	
120L-SP08	120LP&LBP	1"	
120L-SP09	120L&LB	1 <sup>3</sup> / <sub>16</sub> "	
11VAI-SP10	11VAI	13/16"	

# AILE<sup>®</sup>

• Automatic nozzles series

SHANGHAI  
AILE PETROLEUM  
EQUIPMENT  
MFG.CO.,LTD.

---

# Manual Nozzles

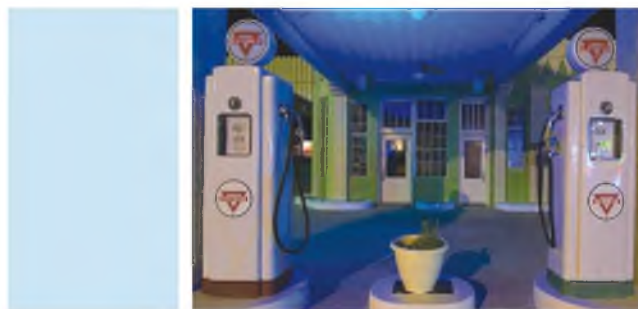


## 12A Series Of Manual Nozzles

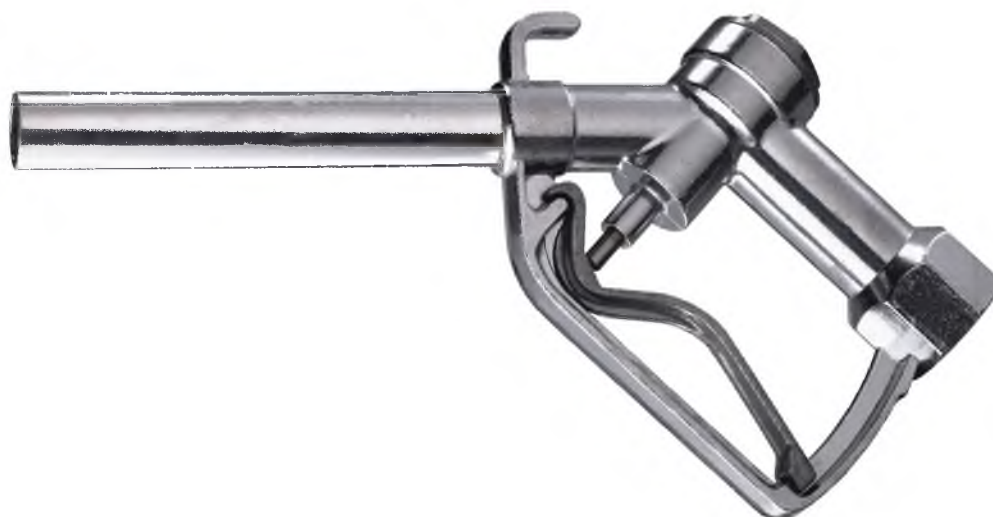
- ▶ Nozzle Used for Utility fueling application (gravity or low pressure).
- ▶ **Materials:**  
**Body:** Cast aluminum  
**Seals:** Buna-N,  
**Main stem :** Stainless steel  
**Spout:** Aluminum
- ▶ **Package:**  
**Net Weight:** 0.57kg/pc  
**Gross Weight:** 0.725kg/pc  
**56x33.2x33.7cm<sup>3</sup>/case of 20pc**
- ▶ **Features & Benefits:**
  - ◆ **Flow rate:** 0-45 L/m (<sup>13</sup>/<sub>16</sub>"  
0-60 L/m (<sup>15</sup>/<sub>16</sub>"
  - ◆ **Working Pressure:** 0.18Mpa
  - ◆ **Aluminum Body-** Light weight and easy to operate.
  - ◆ **Compound lever-** two fulcrum points permit nozzle to be easily and slowly opened, then quickly opened fully. Makes topping off easy.
  - ◆ **100% Factory Tested.**

### Ordering Specifications:

Product #	Inlet size	Outlet diameter
12A-801	NPT1"	15/16"
12A-802	NPT1"	13/16"
12A-803	NPT3/4"	15/16"
12A-804	NPT3/4"	13/16"
12A-805	BSPP1"	15/16"
12A-806	BSPP1"	13/16"
12A-807	BSPP3/4"	15/16"
12A-808	BSPP3/4"	13/16"



### ▶ AILE 12A



## 13A Series Of Manual Nozzles

▶ Nozzle Used for Utility fueling application (gravity or low pressure).

▶ **Materials:**

**Body:** Cast aluminum  
**Seals:** Buna-N,  
**Main stem :** Stainless steel  
**Spout:** Aluminum

▶ **Package:**

**Net Weight:** 0.85kg/pc  
**Gross Weight:** 1.07kg/pc  
 55x34x42.5 cm<sup>3</sup>/case of 15pc

▶ **Features & Benefits:**

- ◆ **Flow rate:** 0-45 L/m (<sup>13</sup>/<sub>16</sub>"  
0-70 L/m (1")
- ◆ **Aluminum Body-** Light weight and easy to operate.
- ◆ **Compound lever-** two fulcrum points permit nozzle to be easily and slowly opened, then quickly opened fully. Makes topping off easy.
- ◆ **Rotary 360 inlet swivel-** prevents hose from curling up.
- ◆ **Selective concealed full hold-open rack-** means easy to setting of flow rate.
- ◆ **100% Factory Tested.**

▶ **Ordering Specifications:**

Product #	Inlet size	Outlet diameter
13A-01	NPT1"	13/16"
13A-02	NPT1"	1"
13A-03	BSPT1"	13/16"
13A-04	BSPT1"	1"
13A-05	NPT3/4"	13/16"
13A-06	NPT3/4"	1"
13A-07	BSPP3/4"	13/16"
13A-08	BSPP3/4"	1"



▶ **AILE 13A**



## A1250 Series Of Manual High-Flow Nozzles

▶ For High-Flow, Bulk Fuel Oil Delivery Service.

▶ **Materials:**

**Body:** Cast aluminum  
**Seals:** Buna-N, Viton  
**Main stem :** Stainless steel  
**Spout:** Aluminum

▶ **Package:**

**Net Weight:** 2.08kg/pc  
**Gross Weight:** 2.5kg/pc  
 46x43x35.5 cm<sup>3</sup>/case of 8pc

▶ **Features & Benefits:**

- ◆ **Flow rate:** 0-260 L/m (1<sup>5</sup>/<sub>8</sub>" )
- ◆ **Working Pressure:** 0.18Mpa
- ◆ **Aluminum Body-** Light weight and easy to operate.
- ◆ **Replaceable hold-open rack-** one-hand- control of hold-open mechanism means easy setting of flow rate. Nozzle must be attended at all times during usage.
- ◆ **100% Factory Tested.**

▶ **Ordering Specifications:**

Product #	Inlet size	Outlet diameter
A1250-801	BSPP1 1/2"	1 5/8"
A1250-802	NPT1 1/2"	1 5/8"



▶ **AILE A1250**



## A1295 Series Of Manual High-Flow Nozzles

▶ For High-Flow, Bulk Fuel Oil Delivery Service.

▶ **Materials:**

**Body:** Cast aluminum  
**Seals:** Buna-N, Viton  
**Main stem :** Brass  
**Spout:** Aluminum

▶ **Package:**

**Net Weight:** 1.525kg/pc  
**Gross Weight:** 1.875kg/pc  
 47x38.5x35 cm<sup>3</sup>/ case of 8pc

▶ **Features & Benefits:**

- ◆ **Flow rate:** 0-290 L/m ( $1^{10}/_{13}$ "
- ◆ **Working Pressure:** 0.18Mpa
- ◆ **Aluminum Body-** Light weight and easy to operate.
- ◆ **Replaceable hold-open rack-** one-hand- control of hold-open mechanism means easy setting of flow rate. Nozzle must be attended at all times during usage
- ◆ **Replaceable composite lever guard-** easy, low cost replacement should be guard be broken.
- ◆ **Easily replaced swivel-** it can change the connecting between different thread and different caliber.
- ◆ **100% Factory Tested.**

▶ **Ordering Specifications:**

Product #	Inlet size	Outlet diameter
A1295-801	NPT1 1/2"	1 10/13"
A1295-802	NPT2"	1 10/13"
A1295-804	BSPT1 1/2"	1 10/13"
A1295-805	BSPT 2"	1 10/13"
A1295-807	BSPP1 1/2"	1 10/13"
A1295-808	BSPP 2"	1 10/13"



▶ **AILE A1295**





# AILE<sup>®</sup>

SHANGHAI  
AILE PETROLEUM  
EQUIPMENT  
MFG.CO.,LTD.

• Gas station fitting series

---

## Swivel Series



## 241TPS Hose Swivel

► The AILE 241TPS Hose Swivel is designed for applications where easy nozzle and hose handling is important for customer's convenience. It is installed between the nozzle and the hose to reduce strain, provides flexibility and reduces premature hose wear.

► **Materials:**

**Body:**High Aluminum Zinc Alloy  
**Inner O-ring:**Viton  
**Outer O-ring:**Viton

► **241TPS-<sup>3</sup>/<sub>4</sub>"**

**Package:**

**Net Weight:** 0.21kg/pc  
**Gross Weight:** 0.23kg/pc  
 48x31.5x26 cm<sup>3</sup>/case of 100pc

► **241TPS- 1"**

**Package:**

**Net Weight:** 0.35kg/pc  
**Gross Weight:** 0.37kg/pc  
 60x38x30 cm<sup>3</sup>/case of 100pc

► **Ordering Specifications:**

Product #	Size	Weight
241TPS 801	<sup>3</sup> / <sub>4</sub> "F× <sup>3</sup> / <sub>4</sub> "M(NPT)	0.21KG
241TPS 802	<sup>3</sup> / <sub>4</sub> "F× <sup>3</sup> / <sub>4</sub> "M(BSPT)	0.21KG
241TPS 803	1"F×1"M(NPT)	0.21KG
241TPS 804	1"F×1"M(BSPT)	0.21KG

► **Features & Benefits:**

- ◆ Customers' Convenience-provides customers with the flexibility to fuel their vehicles from virtually any direction.
- ◆ Multi-plane-provides a full 360 sperical rotation for free movement of nozzle.
- ◆ High flow rate-is due to laminar flow design.
- ◆ Dual seal-double o-ring seals at each swivel provide long life and low (-40 degree)temperature performance.
- ◆ Compatible with fuel containing alcohol.
- ◆ High strength step shoulder bearing diameters and impact absorbing stops.



► **AILE 241TPS**



## 45 Series Of Swivels

### ► AILE<sup>®</sup> 45° Swivel:

- ◆ Designed for self-service application where easy nozzle and hose handling is important for customers' convenience. It is installed between the nozzle and the hose to reduce strain, provides flexibility so the fueling hose lasts long.
- ◆ 100% factory tested

### ► Materials:

**Body:** Aluminum  
**Inlet Adaptor:** Aluminum  
**Outlet Adaptor:** Brass  
**Seals:** Viton

### ► 45 Series 3/4"

#### Package:

**Net Weight:** 0.23kg/pc  
**Gross Weight:** 0.27kg/pc  
 48x31.5x26 cm<sup>3</sup>/case of 100pc

### ► 45 Series 1"

#### Package:

**Net Weight:** 0.3kg/pc  
**Gross Weight:** 0.34kg/pc  
 58x31.5x26 cm<sup>3</sup>/case of 100pc

### ► Ordering Specifications:

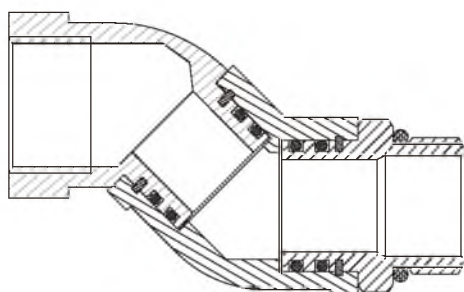
Product #	size
AILE 45° 3/4"	NPT3/4" /BSP 3/4"
AILE 45° 1"	NPT1" / BSP1"

### ► Important:

**AILE**<sup>®</sup> Products should be used in compliance with country, province and local Laws and regulations. Products selection should be based on physical specifications and limitations and compatibility with the environment and materials to be handled. AILE Makes no warranty of fitness for a particular use. All illustrations and specifications in this literature are based on the latest products information available at the time of publication, AILE reserves the right to make changes at any time in price, materials, specifications and models and to discontinue models without notice or obligation.



### ► AILE<sup>®</sup> 45 Series



## JGHB Series Hose Swivels & Couplings

### ► AILE<sup>®</sup> JGHB Hose Swivel:

- ◆ Designed for use between the hose and fuel oil nozzle, or between the hose and other equipments.
- ◆ The **AILE**<sup>®</sup> JGHB provides 360° swivel action.
- ◆ The full-circle swivel reduces the physical strain of aligning the nozzle with fill-pipe.
- ◆ 100% factory tested

### ► Materials:

**Body:** Brass  
**Seals:** Buna-N / Viton  
**Bushing:** Brass  
**Surface:** Electronic chrome plated

#### JGHB Series 3/4"

### ► Package:

**Net Weight:** 0.21kg/pc  
**Gross Weight:** 0.24kg/pc  
 24x24x38cm<sup>3</sup>/case of 100pc

#### JGHB Series 1"

### ► Package:

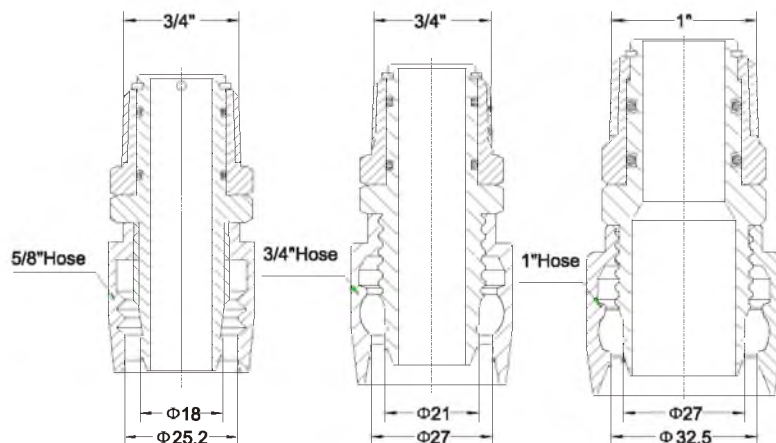
**Net Weight:** 0.3kg/pc  
**Gross Weight:** 0.33kg/pc  
 38.5x24x25cm<sup>3</sup>/case of 100pc

### ► Ordering Specifications:

Product #	size
JGHB 501	BSPP/BSPT 3/4"×5/8" I.D of Hose
JGHB 502	NPT3/4" × 5/8" I.D of Hose
JGHB 503	BSPP/BSPT 3/4"×3/4" I.D of Hose
JGHB 504	NPT3/4" × 3/4" I.D of Hose
JGHB 505	BSPP/BSPT 1"×1" I.D of Hose
JGHB 506	NPT1" × 1" I.D of Hose



### ► AILE<sup>®</sup> JGHB Series



## JGDB Series Hose Couplings

### ▶ AILE JGDB Hose Coupling:

- ◆ Designed for use between the hose and the pipe, or between the hose and other equipments.
- ◆ 100% factory tested

### ▶ Materials:

**Body:** Brass

**Bushing:** Brass

**Surface:** Electronic chrome plated

### JGDB Series 3/4"

#### ▶ Package:

**Net Weight:** 0.19kg/pc

**Gross Weight:** 0.22kg/pc

24x24x33cm<sup>3</sup>/case of 100pc

### JGDB Series 1"

#### ▶ Package:

**Net Weight:** 0.28kg/pc

**Gross Weight:** 0.31kg/pc

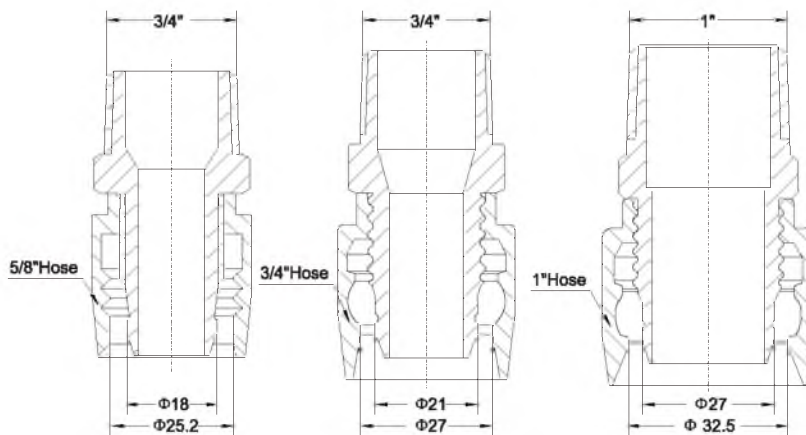
39x24.5x25cm<sup>3</sup>/case of 100pc

### ▶ Ordering Specifications:

Product #	size
JGDB 501	BSPP/BSPT 3/4"×5/8" I.D of Hose
JGDB 502	NPT3/4" × 5/8" I.D of Hose
JGDB 503	BSPP/BSPT 3/4"×3/4" I.D of Hose
JGDB 504	NPT3/4" × 3/4" I.D of Hose
JGDB 505	BSPP/BSPT 1"×1" I.D of Hose
JGDB 506	NPT1" × 1" I.D of Hose



### ▶ AILE JGDB Series



## JGD Series Hose Swivels & Couplings

▶ **AILE JGD Hose Coupling:**

- ◆ Designed for use between the hose and the pipe, or between the hose and other equipments.
- ◆ 100% factory tested.

▶ **Materials:**

**Body:** Brass  
**Bushing:** Brass

**JGD Series 3/4"**

▶ **Package:**

**Net Weight:** 0.265kg/pc  
**Gross Weight:** 0.3kg/pc  
27x27x31 cm<sup>3</sup>/case of 100pc

**JGD Series 1"**

▶ **Package:**

**Net Weight:**0.405kg/pc  
**Gross Weight:** 0.46kg/pc  
30x30x17 cm<sup>3</sup>/case of 50pc

▶ **Ordering Specifications:**

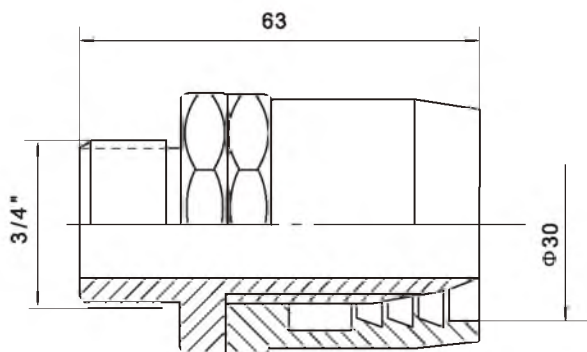
Product #	size
JGD3/4"	BSP 3/4"/NPT3/4" × $\phi$ 30mm
JGD1"	BSP 1"/NPT1" × $\phi$ 38mm

▶ **Important:**

**AILE** Products should be used in compliance with country, province and local Laws and regulations. Products selection should be based on physical specifications and limitations and compatibility with the environment and materials to be handled. AILE Makes no warranty of fitness for a particular use. All illustrations and specifications in this literature are based on the latest products information available at the time of publication, AILE reserves the right to make changes at any time in price, materials, specifications and models and to discontinue models without notice or obligation.



▶ **AILE JGD Series**



## JGH Series Hose Couplings

### ► AILE JGH Hose Coupling:

- ◆ Designed for use between the hose and the nozzle, the flow indicator, the pipe, and other equipment.
- ◆ The AILE JGH provides 360° rotation action.
- ◆ The full-circle swivel reduces the physical strain of aligning the nozzle with fill-pipe.
- ◆ 100% factory tested

### ► Materials:

**Body:** Brass  
**Seals:** Buna-N / Viton  
**Bushing:** Brass  
**Bearing:** Iron ball  
**Surface:** Electronic chrome plated

#### JGH Series 3/4"

### ► Package:

**Net Weight:** 0.455kg/pc  
**Gross Weight:** 0.52kg/pc  
 27x27x20 cm<sup>3</sup>/case of 50pc

#### JGH Series 1"

### ► Package:

**Net Weight:** 0.74kg/pc  
**Gross Weight:** 0.8kg/pc  
 30x30x22 cm<sup>3</sup>/case of 50pc

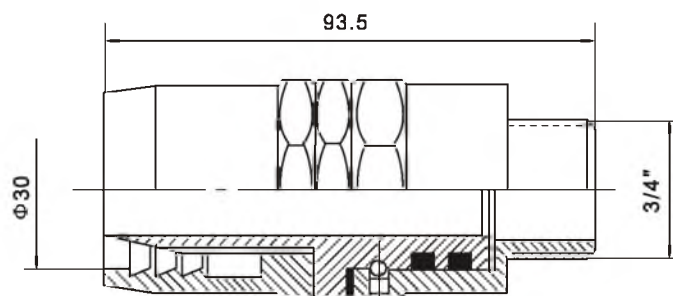
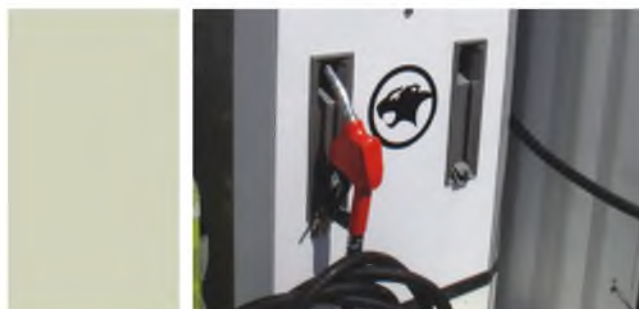
### ► AILE JGH Series

### ► Ordering Specifications:

Product #	size
JGH3/4"	BSP 3/4"× Φ30mm / NPT3/4"×Φ30mm
JGH1"	BSP 1"× Φ38mm/ NPT1"×Φ38mm

### ► Important:

**AILE**<sup>®</sup> Products should be used in compliance with country, province and local Laws and regulations. Products selection should be based on physical specifications and limitations and compatibility with the environment and materials to be handled. AILE Makes no warranty of fitness for a particular use. All illustrations and specifications in this literature are based on the latest products information available at the time of publication, AILE reserves the right to make changes at any time in price, materials, specifications and models and to discontinue models without notice or obligation.



## AILE 36S7 Series Swivels

► AILE 36S 7 Swivel is designed for use with fuel oil nozzle(at inter only). The AILE 36S 7 provides 360° rotation. The full-circle swivel reduces the physical strain of aligning the nozzle with fill-pipe. The different thread and different caliber can be replaced freely.

► **Materials:**

**Body:** Aluminum

**Bushing:** Brass

**Seals:** Buna-N

**36S7 Series 3/4"**

► **Package:**

**Net Weight:**0.115kg/pc

**Gross Weight:**0.135kg/pc

34.5x22x33.5 cm<sup>3</sup>/case of 200pc

**36S7 Series 1"**

► **Package:**

**Net Weight:**0.19kg/pc

**Gross Weight:** 0.22kg/pc

37.5x26x31.5 cm<sup>3</sup>/case of 150pc

**36S7 Series 1 1/2"**

► **Package:**

**Net Weight:** 0.5kg/pc

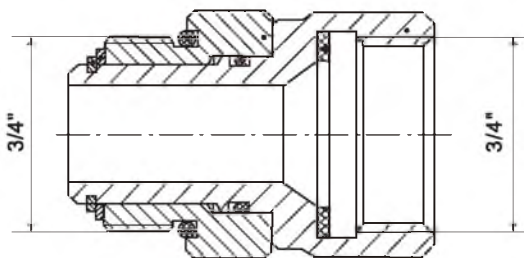
**Gross Weight:** 0.54kg/pc

39x39x23 cm<sup>3</sup>/case of 50pc

► **Ordering Specifications:**

Product #	Size
36S 701	NPT3/4" (Male) × NPT3/4"(Female)
36S 702	NPT3/4" (Male)× BSP 3/4"(Female)
36S 703	NPT3/4" (Male) × NPT1"(Female)
36S 704	NPT3/4" (Male)× BSP1"(Female)
36S 705	BSP3/4" (Male) × NPT3/4"(Female)
36S 706	BSP3/4" (Male) × BSP3/4"(Female)
36S 707	BSP3/4" (Male) × NPT1"(Female)
36S 708	BSP3/4"(Male) × BSP1"(Female)
36S 709	NPT1"(Male) × NPT3/4"(Female)
36S 710	NPT1" (Male) × BSP3/4"(Female)
36S 711	NPT1" (Male) × NPT1"(Female)
36S 712	NPT1" (Male) × BSP1"(Female)
36S 713	BSP1" (Male) × NPT3/4"(Female)
36S 714	BSP1" (Male) × BSP3/4"(Female)
36S 715	BSP1" (Male) × NPT1"(Female)
36S 716	BSP1" (Male) × BSP1"(Female)
36S 717	NPT1 1/2" (Male) × NPT1 1/2" (Female)
36S 718	NPT1 1/2" (Male) × BSP1 1/2"(Female)
36S 719	BSPT1 1/2" (Male) × NPT1 1/2" (Female)
36S 720	BSPT1 1/2" (Male) × BSP1 1/2" (Female)

► **AILE<sup>®</sup> 36S7 Series**





## AILE 36S8 Series Swivels

► AILE 36S 8 360° rotary Swivel is designed for AILE ZYQ-13A Automatic Nozzles.it can change the connection between different threads and different calibers, which is convenient to use. The full -circle swivel reduces the Physical Strain of aligning the nozzle with the fillpipe.Screen protects the nozzle from debris.

► **Materials:**

**Body:** Aluminum

**Bushing:** Brass

**Seals:** Viton

**Maximum Flow:** 80 L/Min

**Working pressure:** 0.18Mpa

► **Package:**

**Net Weight:** 0.21kg/pc

**Gross Weight:** 0.275kg/pc

27.5x27.5x27.5 cm<sup>3</sup>/case of 100pc

► **Ordering Specifications:**

Product #	Connection Threads
36S 801	NPT3/4"(Female)×M34x1.5(Male)
36S 802	BSP3/4"(Female)×M34x1.5(Male)
36S 803	NPT1"(Female)×M34x1.5(Male)
36S 804	BSP1"(Female)×M34x1.5(Male)

## AILE 36S-ZAS & 36S-ZTPS Angle Swivel

► 36S-ZAS & 36S-ZTPSSpecial Angle swivel is designed for ZYQ-13A series Automatic Nozzles. It is set between ZYQ-13A nozzle and hose to reduce strain.It can change the connection between different threads and different calibers,which is convenient to use.

► **Features & Benefits:**

◆ Provide flexibility so the fueling hose lasts long.

► **Ordering Specifications:**

Product #	Connection Threads
36S-ZAS- 801	NPT3/4"(Female)×M34x1.5(Male)
36S-ZAS-802	BSP3/4"(Female)×M34x1.5(Male)
36S-ZTPS-701	NPT3/4"(Female)×M34x1.5(Male)
36S-ZTPS-702	BSP3/4"(Female)×M34x1.5(Male)
36S-ZTPS-703	NPT1"(Female)×M34x1.5(Male)
36S-ZTPS-704	BSP1"(Female)×M34x1.5(Male)



► **AILE 36S Series**



36S 8Series



36S -ZTPS Series



36S -ZAS Series

## SJD Series Oil Viewing Devices

▶ AILE SJD series Flow Indicator allows the customers to see whether the fuel (clean or contaminated ) passing from the hose into the nozzle

▶ **Flow Range:** 0-70L/min  
▶ **Nominal pressure:** 0.2Mpa

▶ **Materials:**

◆ SJD-RA & SJD-RC Oil Viewing Devices

**Body:** Brass (Chromium-plating)

**Viewing glass:** Toughened glass

**Seals:** Buna-N O-ring

**Surface:** Electronic Chrome plated

◆ SJD Oil Viewing Devices

**Body:** Iron

**Viewing glass:** Toughened glass

**Seals:** Buna-N O-ring

**Surface:** Electronic Chrome plated

▶ **Package:**

◆ SJD-RA Oil Viewing Devices

**Net Weight:** 0.4kg/pc

**Gross Weight:** 0.42kg/pc

46 x 22 x 13.5 cm<sup>3</sup>/case of 60pc

◆ SJD-RC Oil Viewing Devices

**Net Weight:** 0.285 kg/pc

**Gross Weight:** 0.305 kg/pc

45 x 22 x 23 cm<sup>3</sup>/case of 80pc

◆ SJD Oil Viewing Devices

**Net Weight:** 1.033kg/pc

**Gross Weight:** 1.133kg/pc

37x23.5x19.5 cm<sup>3</sup>/case of 30pc

▶ **SJD Features & Benefits:**

- ◆ Its inlet and outlet shape is an angle as 90°, which can meet different requirements.
- ◆ 100% Factory Tested.

▶ **Ordering Specifications:**

Product #	Size
SJD-RA-801	NPT3/4"male x NPT3/4"Female
SJD-RA-802	BSPT3/4"male x BSPT3/4"Female
SJD-RA-803	BSPP3/4"male x BSPP3/4"Female
SJD-RC-801	NPT3/4"male x NPT3/4"Female
SJD-RC-802	BSPT3/4"male x BSPT3/4"Female
SJD-RC-803	BSPP3/4"male x BSPP3/4"Female
SJD 903	NPT3/4" (female)xM33x1.5 (male)
SJD 908	BSP3/4" (female)xM33x1.5 (male)



▶ **AILE SJD Series**



SJD-RA



SJD-RC



SJD 908

## SJH Series Oil Viewing Device

▶ AILE SJH series Flow Indicator allows the customers to see whether the fuel (clean or contaminated ) passing from the hose into the nozzle

▶ **Flow Range:** 0-70L/min

▶ **Nominal pressure:** 0.2Mpa

▶ **Materials:**

◆ SJH-RB SJH-RD Oil Viewing Devices

**Body:** Brass (Chromium-plating)

**Viewing glass:** Toughened glass

**Seals:** Buna-N O-ring

**Bearing:** Iron ball

**Surface:** Electronic Chrome plated

◆ SJH Oil Viewing Devices

**Body:** Brass

**Viewing glass:** Toughened glass

**Seals:** Buna-N O-ring

**Bearing:** Iron ball

**Surface:** Electronic Chrome plated

▶ **Package:**

◆ SJH-RB Oil Viewing Devices

**Net Weight:** 0.53 kg/pc

**Gross Weight:** 0.565 kg/pc

23 x 22 x 22.5 cm<sup>3</sup>/case of 50pc

◆ SJH-RD Oil Viewing Devices

**Net Weight:** 0.42 kg/pc

**Gross Weight:** 0.44 kg/pc

46 x 22 x 13.5 cm<sup>3</sup>/case of 60pc

◆ SJH Oil Viewing Devices

**Net Weight:** 0.73kg/pc

**Gross Weight:** 0.8kg/pc

27.5x27x33 cm<sup>3</sup>/case of 50pc

▶ **Ordering Specifications:**

Product #	Size
SJH-RB-801	NPT3/4"male x NPT3/4"Female
SJH-RB-802	BSPT3/4"male x BSPT3/4"Female
SJH-RB-803	BSPP3/4"male x BSPP3/4"Female
SJH-RD-801	NPT3/4"male x NPT3/4"Female
SJH-RD-802	BSPT3/4"male x BSPT3/4"Female
SJH-RD-803	BSPP3/4"male x BSPP3/4"Female
SJH 801	BSP3/4" x Φ 30mm
SJH 802	NPT3/4" x Φ 30mm
SJH 803	BSP1" x Φ 30mm
SJH 804	NPT1" x Φ 30mm

▶ **SJH Features & Benefits:**

◆ 360° rotation can reduce the physical strain

◆ 100% Factory Tested



▶ **AILE<sup>®</sup> SJH Series**



SJH-RB



SJH-RD



SJH 801

# AILE®

SHANGHAI  
AILE PETROLEUM  
EQUIPMENT  
MFG.CO.,LTD.

• Gas station fitting series

---

## Valve Series



## BC-CH Series Of Reconnectable Breakaways

▶ The AILE BC-CH is a dry reconnectable breakaway for the conventional dispensing market. It is designed to be installed on fuel dispensing hoses, and will separate when subjected to a designated pull force. The dual valves seat automatically stopping the flow of fuel and limiting any fuel spillage, while protecting the dispensing equipment. When reconnecting the separated halves, the AILE BC-CH seals tightly on an O-ring before the poppet stems engage to open the valve. For proper operation on high-hanging hoses, the AILE BC-CH must always be installed with a "straightening" hose with a minimum length of 9". For low hose applications, the AILE BC-CH should be installed down stream of the retractor cable.

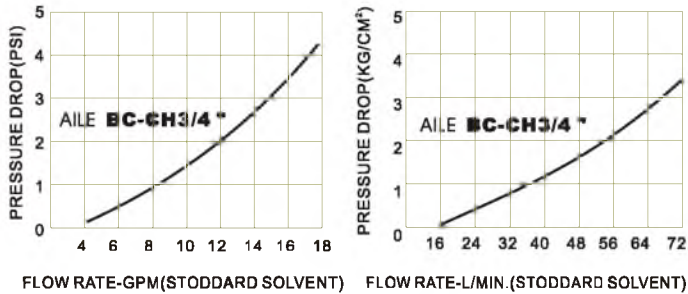
▶ **Materials:**

- Body:** die cast zinc
- Main Seals:** Viton
- Main Spring:** stainless steel
- Guide and poppet:** POM
- Protective Sleeve:** PA66

**BC-CH 3/4"**

▶ **Package:**

- Gross Weight:** 18.5kg/case of 32  
31x30x26cm<sup>3</sup>/case of 50



▶ **Features & Benefits:**

- ◆ **Pull force-** the AILE BC-CH 3/4" will break away with a pull force of 250 lbs ±5%, the AILE BC-CH 1" will break away with a pull force of 300 lbs ±5%.
- ◆ **Unique double-poppet design-** features low pressure drop.
- ◆ **Flow rate:** 0-60L/Min
- ◆ **Working pressure:** 0.18Mpa
- ◆ **Coupling halves-** protected by proven plastic sleeves.
- ◆ **Easily reconnected-** just "push and twist" until you hear the audible click, signifying the unit has been correctly reconnected. Reconnection force approximately 15 lbs.
- ◆ **Line shock -** the AILE BC-CH is able to absorb the effects of normal line shock through the unique design of the disconnecting features.
- ◆ **May be reconnected under wet or dry hose conditions.**
- ◆ **100% Factory Tested.**

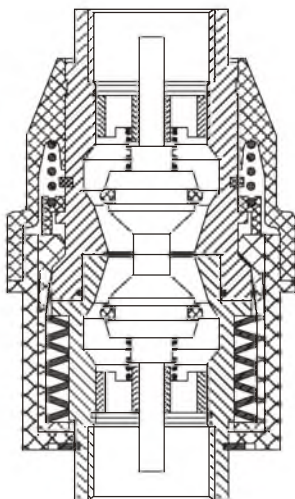
▶ **Warning:**

We advise you replace a new AILE BC-CH breakaway when the pull-force is lower than 180lbs after many reconnections.

▶ **Ordering Specifications:**

Product #	Size
BC-CH 3/4"	BSP3/4" / NPT3/4"

▶ **AILE BC-CH Series**



## BC-ZQ Series Of Safety Breakaway Swivels

▶ The AILE BC-ZQ Swivel Breakaway is intended for easy installation at the nozzle inlet the compact, light weight design incorporates a 360° swivel rotation at both the male end and middle joint, with a simple and easily reconnectable breakaway on the opposite end.

▶ **Package:**

**Net Weight:** 0.256Kg/pc  
**Gross Weight:** 0.26kg/pc  
 42x26x24cm/case of 50 pc

▶ **Features & Benefits:**

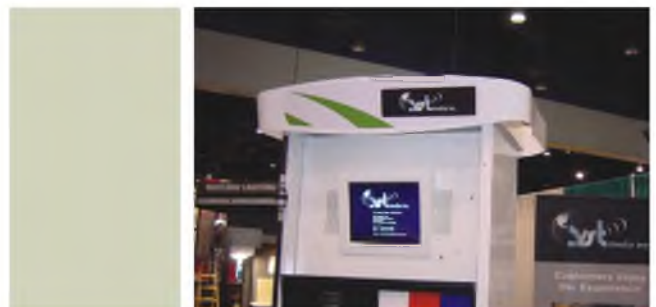
- ◆ **Pull force**-the swivel breakaway will break away with a pull force of no more than 250lbs.
- ◆ **Easily reconnected at waist height**-after relieving line pressure, simply push coupling halves together until latched. Reconnection force is approximately 15lbs.
- ◆ **Reduces connections**-the single unit design replaces the standard swivel, breakaway and whip hose, eliminating possible leak points.
- ◆ **Double o-ring seal**-both swivel joints are protected by a double o-ring design.
- ◆ **Flow Range**-0~90L/min

▶ **AILE<sup>®</sup> BC-ZQ Series**



▶ **Ordering Specifications:**

product#	Inlet	Outlet	Suit
BC-ZQ-801	BSPT1"male	M34x1.5male	ZYQ NOZZLE
BC-ZQ-802	BSPT1"male	BSPT1"male	OTHER NOZZLE
BC-ZQ-803	BSPT1"male	BSPT1"Female	OTHER NOZZLE
BC-ZQ-804	BSPT1"male	BSPT3/4"Female	OTHER NOZZLE
BC-ZQ-805	BSPT1"male	BSPT3/4"male	OTHER NOZZLE
BC-ZQ-806	BSPT1"Female	M34x1.5male	ZYQ NOZZLE
BC-ZQ-807	BSPT1"Female	BSPT1"male	OTHER NOZZLE
BC-ZQ-808	BSPT1"Female	BSPT1"Female	OTHER NOZZLE
BC-ZQ-809	BSPT1"Female	BSPT3/4"Female	OTHER NOZZLE
BC-ZQ-8010	BSPT1"Female	BSPT3/4"male	OTHER NOZZLE
BC-ZQ-8011	BSPT1"male	M34x1.5mal	ZYQ NOZZLE
BC-ZQ-8012	BSPT1"male	NPT1"malee	OTHER NOZZLE
BC-ZQ-8013	BSPT1"male	NPT1"Female	OTHER NOZZLE
BC-ZQ-8014	BSPT1"male	NPT3/4"Female	OTHER NOZZLE
BC-ZQ-8015	BSPT1"male	NPT3/4"male	OTHER NOZZLE
BC-ZQ-8016	BSPT1"Female	M34x1.5mal	ZYQ NOZZLE
BC-ZQ-8017	BSPT1"Female	NPT1"malee	OTHER NOZZLE
BC-ZQ-8018	BSPT1"Female	NPT1"Female	OTHER NOZZLE
BC-ZQ-8019	BSPT1"Female	NPT3/4"Female	OTHER NOZZLE
BC-ZQ-8020	BSPT1"Female	NPT3/4"male	OTHER NOZZLE
BC-ZQ-8021	BSPT3/4"Female	M34x1.5male	ZYQ NOZZLE
BC-ZQ-8022	BSPT3/4"Female	BSPT1"male	OTHER NOZZLE
BC-ZQ-8023	BSPT3/4"Female	BSPT1"Female	OTHER NOZZLE
BC-ZQ-8024	BSPT3/4"Female	BSPT3/4"Female	OTHER NOZZLE
BC-ZQ-8025	BSPT3/4"Female	BSPT3/4"male	OTHER NOZZLE
BC-ZQ-8026	NPT3/4"Female	M34x1.5mal	ZYQ NOZZLE
BC-ZQ-8027	NPT3/4"Female	NPT1"malee	OTHER NOZZLE
BC-ZQ-8028	NPT3/4"Female	NPT1"Female	OTHER NOZZLE
BC-ZQ-8029	NPT3/4"Female	NPT3/4"Female	OTHER NOZZLE
BC-ZQ-8030	NPT3/4"Female	NPT3/4"male	OTHER NOZZLE



## BC-YC Series Of Breakaways

▶ The AILE BC-YC is designed to be installed on fuel dispensing hoses, and will separate when subjected to a designed pull force. The dual valves seat automatically, stopping the flow of fuel and limiting any fuel spillage, while protecting the dispensing equipment. For proper operation, the AILE BC-YC 3/4" should be installed with a "straightening" hose with a minimum length of 9". The AILE BC-YC 1" should be installed with a minimum length of 12".

▶ **Materials:**

**Body:** Aluminum

**Main Seals:** Viton

**Main Spring:** stainless steel

**Guide and poppet:** POM

**Protective Sleeve:** PVC

▶ **BC-YC 3/4 "Package:**

**Net Weight:** 0.23kg/pc

**Gross Weight:** 0.26kg/pc

26.8x48x26cm<sup>3</sup> /case of 100pc

▶ **BC-YC1 "Package:**

**Net Weight:** 0.38kg/pc

**Gross Weight:** 0.44kg/pc

29x29x30cm<sup>3</sup> / case of 50pc

▶ **Ordering Specifications:**

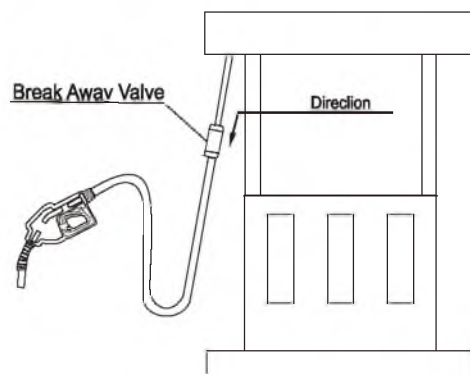
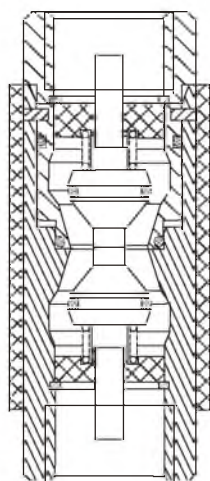
Product #	Size	Weight
BC-YC 801	NPT3/4"×NPT3/4"	230g
BC-YC 802	BSP3/4"×BSP3/4"	230g
BC-YC 803	NPT1"×NPT1"	380g
BC-YC 804	BSP1"×BSP1"	380g

▶ **Features & Benefits:**

- ◆ **Pull force-** the AILE BC-YC 3/4" will break away with a pull force 300 lbs ±5%, the AILE BC-YC 1" will break away with a pull force 360 lbs ±5%.
- ◆ **Certainty of operation-** designed to be replaced after separation, instead of reassembled, to protect against reassembly errors.
- ◆ **Unique double-poppet design-** features low pressure drop.
- ◆ **Flow rate:** 0-60L/Min (3/4")  
0-120L/Min (1")
- ◆ **Working pressure:** 0.18Mpa
- ◆ **Low pressure drop-** the integral check valve design allows for minimal pressure drop for faster, high-volume fill-ups.
- ◆ **100% Factory Tested.**



▶ **AILE BC-YC Series**



## DJF Series Angle Check Valves

▶ AILE DJF Angle Check Valves are installed on suction system, fuel lines on top of fuel storage tanks to maintain prime. Models are available with male threaded inlets for connection directly into tank bung fittings or with female inlets for connection to a nipple that is threaded into a tank bung fitting. Single-poppet models can be used in applications where the valve is easily accessible for maintenance and disc cleaning or replacement.

▶ **Materials:**

**Body:** Cast Iron

**Cap:** Brass

**Sur face:** Electronic Chrome Plated

▶ **Package:**

**Net Weight:** 2.1kg/pc

**Gross Weight:** 2.125kg/pc

28x26x27.8 cm<sup>3</sup>/case of 12pc

▶ **Features & Benefits:**

- ◆ The AILE DJF features a spring-loaded poppet and Buna-N discs to assist in keeping the valve closed when installed in high-vibration areas.
- ◆ The AILE DJF Angle Check Valves are recommended for use on suction lines where the pressure does not exceed 34 ft of head ( approximately 15 psi.).
- ◆ 100% Factory Tested.

▶ **Dimension for height:**

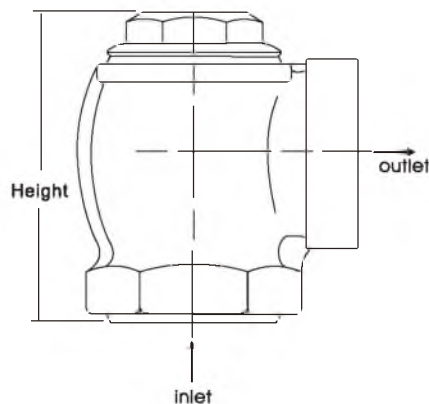
Product Size	H
1½"	116
2"	123

▶ **Ordering Specifications:**

Product #	Size
DJF 801	NPT1½"(inlet)xNPT1½"(outlet)
DJF 802	NPT1½"(inlet)xBSP1½"(outlet)
DJF 803	BSP1½"(inlet)xNPT1½"(outlet)
DJF 804	BSP1½"(inlet)xBSP1½"(outlet)
DJF 805	NPT2 "(inlet)xNPT2 "(outlet)
DJF 807	BSPT2 "(inlet)xBSPT2 "(outlet)



▶ **AILE<sup>®</sup> DJF Series**





## QDYH Series Of Emergency Shut-off Valves

▶ AILE QDYH Series Emergency Shut-off Valves are installed on fuel supply lines beneath at grade level to minimize hazards associated with collision or fire at the dispenser. If the dispenser is pulled over or dislodged by collision, the top of the valve breaks off the flow of fuel. Single-poppet models shut off supply flow, while double-poppet models shut off supply as well as prevent release of fuel from the dispenser's internal piping. The base of the Emergency Valve is securely anchored to the concrete dispenser island through a stabilizer bar system within a U-Bolt Assembly. Valve inlet (bottom) connection are female pipe threads and outlet (top) connections are available with female threads, male threads, or a union fitting. Other options include suction system models with a normally closed secondary poppet which maintain prime, and models with external threads on inlet body which connect to secondary containment system.

▶ **Materials:**

**Body:** Cast iron  
**Seal:** Buna-N O-ring  
**Carrier:** Zinc-Plate Steel  
**Medium:** Water, gasoline, diesel, and kerosene  
**Operating Environment:** -30°C~+55°C

▶ **Package:**

**Net Weight:** 3kg/pc  
**Gross Weight:** 3.33kg/pc  
**37.5x13.5x39 cm<sup>3</sup>/case of 6pc**

▶ **AILE<sup>®</sup> QDYH Series**



▶ **Features & Benefits:**

- ◆ **Shear force:** 600NM-880NM
- ◆ **Fire Protection-** a fusible link trips the valve closed at 75°C to shut off fuel supply to the dispense.
- ◆ **Integral Test Port-** a 3/8" Test Port allows the piping system to be air tested without breaking any piping connection.
- ◆ **Low-Profile Tops-** Female and Union-top double-poppet valves have a low-profile top to allow upgrading from AILE single-poppet valves without changing existing piping.
- ◆ **Multiple Mounting Option-** Valves are boss-mounted to stabilizer bars in sumps and pans or mounted to bars embedded in the island with U-Bolt kits. Versatile Combination Body (boss mount/ U-Bolt mount) models are available to accommodate most mounting applications with one valve style.
- ◆ **100% Factory Tested.**

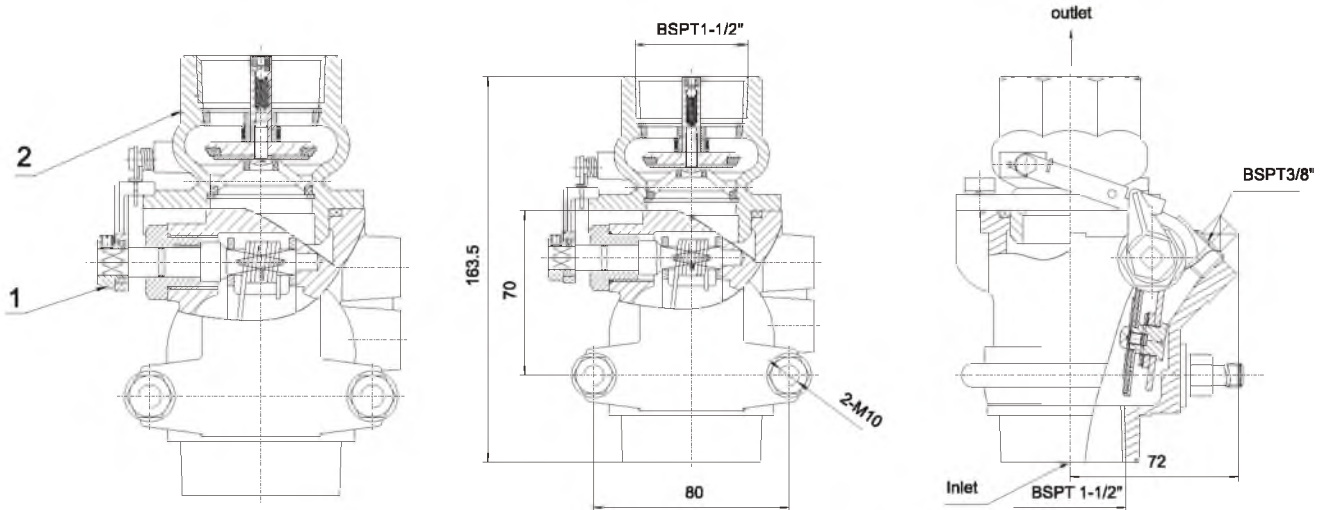


▶ **Ordering Specifications:**

product #	Inlet thread	Outlet thread	Poppet Configuration
QDYH 901	NPT1½"(female)	NPT1½"(female)	Single
QDYH 902	NPT1½"(female)	NPT1½"(female)	Double
QDYH 906	NPT1½"(female)	NPT1½"(male)	Single
QDYH 909	BSP1½"(female)	BSP1½"(female)	Single
QDYH 910	BSP1½"(female)	BSP1½"(female)	Double
QDYH 912	BSP1½"(female)	BSP1½"(male)	Single
QDYH 913	NPT2"(male)	NPT1"(female)	Single
QDYH 914	NPT2"(male)	NPT1"(female)	Double
QDYH 917	NPT2"(male)	NPT1"(male)	Single
QDYH 921	BSP2"(male)	BSP1"(female)	Single
QDYH 922	BSP2"(male)	BSP1"(female)	Double
QDYH 924	BSP2"(male)	BSP1"(male)	Single
QDYH 926	NPT2"(male)	NPT2"(male)	Single
QDYH 928	NPT2"(male)	NPT2"(male)	Double
QDYH 930	BSPT2"(male)	BSPT2"(male)	Single
QDYH 932	BSPT2"(male)	BSPT2"(male)	Double

## QDYH Series Of Emergency Shut-off Valves

► **AILE<sup>®</sup> QDYH Shown**



► **Important:**

**AILE<sup>®</sup>** Products should be used in compliance with country, province and local Laws and regulations. Products selection should be based on physical specifications and limitations and compatibility with the environment and materials to be handled. AILE Makes no warranty of fitness for a particular use. All illustrations and specifications in this literature are based on the latest products information available at the time of publication, AILE reserves the right to make changes at any time in price, materials, specifications and models and to discontinue models without notice or obligation.

► **Replacement Parts:**

Key	Description	Weight
1	Protect pin	
2	Cap (Single)	0.795kg
3	Cap (Double)	0.895 kg



## Sv40 Series Foot Valves

► AILE Products should be used in compliance with country, province and local Laws and regulations. Products selection should be based on physical specifications and limitations and compatibility with the environment and materials to be handled. AILE Makes no warranty of fitness for a particular use. All illustrations and specifications in this literature are based on the latest products information available at the time of publication, AILE reserves the right to make changes at any time in price, materials, specifications and models and to discontinue models without notice or obligation.

► **Materials:**

**Body:** Brass

**Valve:** Brass

**Seals:** Buna-N / Viton

**Valve closing speed:** 0.5S

**Medium:** Gasoline, diesel, and kerosene

**Operating Temperature:** -30°C ~ +55°C

► **Package:**

**Net Weight:** 1.6kg/pc

**Gross Weight:** 1.75kg/pc

30x31.2x18.5cm<sup>3</sup>/case of 20pc

► **Ordering Specifications**

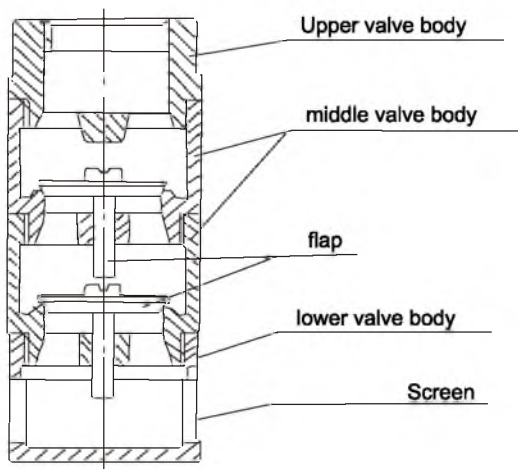
Product #	Size	Poppet Configuration	Weight
SV-40	BSP1½" NPT1½"	Double	1.6kg
SV-50	BSP2" NPT2"	Double	2.4kg
SV-80	BSP3" NPT3"	Double	5kg

► **Features & Benefits:**

- ◆ AILE Series Foot Valves are installed on the bottom of suction tubes in the fuel storage tank to maintain prime in suction system fuel lines.
- ◆ Double-poppet models provide redundant protection for holding the prime, and are ideal for installations where the valve is not easily accessible.
- ◆ AILE Series Foot Valves feature precision metal-to-metal sealing arrangements. AILE Series Foot Valves are recommended for use on suction lines where the pressure does not exceed 34 ft of head (approximately 15 psi).
- ◆ All AILE Series Foot Valves are pressured tested to ensure accuracy
- ◆ Screen protects the valve from debris
- ◆ 100% factory tested



► **AILE<sup>®</sup> Sv40 Series**



**AILE HC Series Of Ball Float Vent Valves**

▶ AILE's ball float vent valves are used in conjunction with AILE's extractor vent valves in the Stage I vapor riser or tank vent line on underground storage tanks. The ball float vent valve will restrict vapor venting should a full tank condition occur and protects against product mixing and vapor locks due to vent pipe flooding. The bleed hole allows for delivery hose drainage after an overfill.

▶ **Package:**

**Net Weight:** 0.92 kg/pc  
**Gross Weight:** 1.09 kg/pc  
 29.5x46x39cm<sup>3</sup>/Case of 30pc

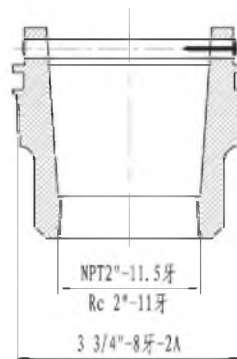
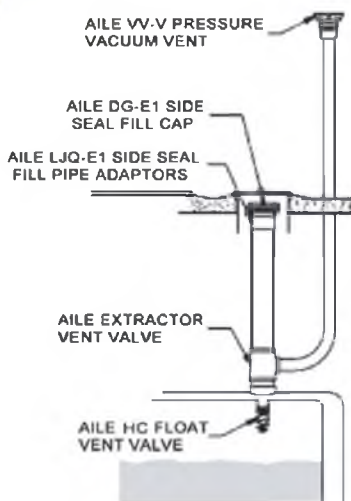
▶ **Ordering Specifications:**

Product #	Thread Size In	"A" LENGTH	Kg.
HC-201	2"	76	0.82
HC-202	2"	130	0.91
HC-203	2"	178	1.36
HC-204	2"	306	1.81
HC-205	2"	408	3.18
HC-206	2"	535	3.18

▶ **2" Ball Float Features**

- ◆ Epoxy coated steel nipple to prevent dissimilar metals from contacting each other.
- ◆ Stainless steel ball float is corrosion resistant for long life.

▶ **AILE<sup>®</sup> HC Series**



**Adaptor of Extractor vent valves**

▶ AILE's Adaptor of Extractor vent valves is designed to connect Extractor vent valves with Ball float vent valves.

▶ **Materials:** Cast Iron

▶ **Package:**

**Net Weight:** 1.1 kg/pc  
**Gross Weight:** 1.2 kg/pc  
 45x45x50 cm<sup>3</sup>/case of 40pc

▶ **Warning:**

AILE extractor vent valves assembly should not be used with suction pump systems. For use on gravity drop systems only. Do not use with pump off unloading. Do not use with coaxial Stage One Vapor recovery drop tubes.



## Extractor Vent Valves

▶ AILE's Extractor Vent Valves are designed to fit into a 4" tank opening on an underground storage tank. Models with a brass cage assembly are used in conjunction with AILE's 2" Float Vent Valves offering easy removal for maintenance or testing. Several outlet sizes are available to accommodate manifolded tank lines and Stage II vapor recovery installations.

▶ **Package:**

**Net Weight:** 7.08 kg/pc  
**Gross Weight:** 7.17 kg/pc  
 57x44x16cm<sup>3</sup>/Case of 6pc

▶ **Accessories**

◆ **Cast Iron Plug w/o-Ring Seal**, for isolating vent piping from tank during testing.

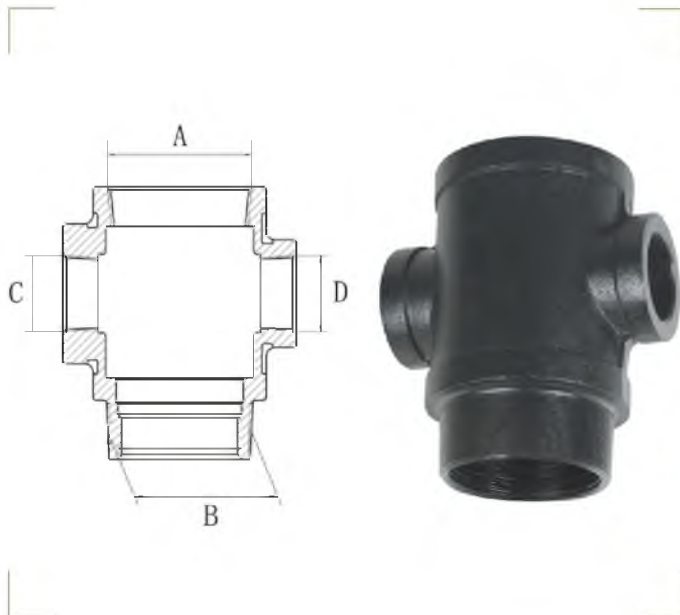
▶ **Features & Benefits:**

- ◆ Zinc coated cast iron body offers long life and protection against rust and corrosion.
- ◆ Brass insert cage allows easy access to float vent valves.

▶ **Ordering Specifications:**

PART	SIZE-A	SIZE-B	SIZE-C	SIZE-D
	IN.	IN.	IN.	IN.
EVV-01	4	4	3	2
EVV-02	4	4	3	3
EVV-03	4	4	2	2

▶ **AILE<sup>®</sup> Extractor Vent Valves**



## Ball Float Vent Valves & Extractor Vent Valves Assembly

▶ Ball float vent valves are used in conjunction with AILE's extractor vent valves in the Stage I vapor riser or tank vent line on underground storage tanks. The ball float vent valve will restrict vapor venting should a full tank condition occur and protects against product mixing and vapor locks due to vent pipe flooding. The bleed hole allows for delivery hose drainage after an overfill.

The extractor vent valves are designed to fit into a 4" tank opening on an underground storage tank. Models with a brass cage assembly are used in conjunction with 2" float vent valve offering easy removal for maintenance or testing. Several outlet sizes are available to accommodate manifolded tank lines and Stage II vapor recovery installations.

Adaptor of Extractor vent valves is designed to connect Extractor vent valves with Ball float vent valves.

▶ **Ball Float Features:**

Epoxy coated steel nipple to prevent dissimilar metals from contacting each other. Stainless steel ball float is corrosion resistant for long life.

▶ **Extractor Vent Valves Features:**

Zinc coated cast iron body offers long life and protection against rust and corrosion. Brass insert cage allows easy access to float vent valves.

▶ **Warning:**

Float vent valves should not be used with suction pump systems. For use on gravity drop systems only. Do not use with pump off unloading. Do not use with coaxial Stage One Vapor recovery drop tubes.

▶ **AILE<sup>®</sup> Ball Float Vent Valves & Extractor Vent Valves Assembly**



## VV-A Open Atmospheric Vent

▶ Open Atmospheric Vents are installed on the top of vent pipes from underground or aboveground fuel storage tanks. The vent cap and internal wire screen are designed to protect the tank vent lines against intrusion and blockage from water, debris or insects. These vents are always open to atmosphere and allow any pressure or vacuum in the tank to vent.

▶ **Materials:**

**Body:** aluminum  
**Screen:**40-mesh stainless steel  
**Set Screws:** brass

▶ **Package:**

**Net Weight:** 0.51 kg/pc  
**Gross Weight:** 0.52 kg/pc  
**35x35x55 cm<sup>3</sup>/case of 45pc**

▶ **Ordering Specifications:**

Product #	Connection
VV-A-801	2" without threads
VV-A-802	NPT2" Female
VV-A-803	BSPT2" Female
VV-A-804	1 1/2" without threads
VV-A-805	NPT1 1/2" Female
VV-A-806	BSPT1 1/2" Female

▶ **Features & Benefits:**

- ◆ **Reliable Service**-Vent cap drain spouts extend outward to deter rainwater entry.
- ◆ **Corrosion-Resistant Construction**-Aluminum body and cap assure a long service life.
- ◆ **Easy Installation**-The 23 is available in 2" and 3" slip-on models that provide for attachment to the vent line with set screws.
- ◆ **Complies with NFPA 30 Requirements** - for venting gasoline vapors upward.
- ◆ **High Maximum Flow Rate**-7000 SCFH at 2 psi pressure drop.
- ◆ **40-Mesh Brass Wire Screen**- Helps prevent debris and insects from entering the tank vent lines.

▶ **AILE<sup>®</sup> VV-A**



## VV-V & VV-VR Pressure Vacuum Vents

▶ AILE 'S Pressure Vacuum vents are installed on the top of vent pipes from underground or aboveground fuel storage tanks. The vent cap and internal wire screen are designed to protect the tank vent lines against intrusion and blockage from water, debris or insects. A normally closed poppet in the valve opens at a predetermined pressure or vacuum setting to allow the tank to vent.

▶ **Package:**

**Net Weight:** 0.806 kg/pc  
**Gross Weight:** 0.83 kg/pc  
**45.5x45.5x50cm/ case of 36 pc**

▶ **Ordering Specifications:**

Product#	Connection Threads	OZ.OFPressure	OZ.OF Vacuum
VV-V-801	NPT2"Female	8.00	5.00
VV-V-802	BSPT2"Female	8.00	5.00
VV-V-803	BSPP2"Female	8.00	5.00
VV-VR-801	NPT2"Female	500pa-900pa	1500pa-2250pa
VV-VR-802	BSPT2"Female	500pa-900pa	1500pa-2250pa
VV-VR-803	BSPP2"Female	500pa-900pa	1500pa-2250pa

Note: VV-VR is used for Vapor Recovery System of Petrol Station

▶ **AILE<sup>®</sup> VV-V / VV-VR**



**ZHF-V Series Of Vapor Check Valve Adaptors**

▶ AILE'S ZHF-V vapor check valve adaptors are used on the vapor recovery riser pipes on an underground storage tank. Dual point vapor recovery systems provide an easy and economical installation at new locations and faster drop times than coaxial systems due to a straight 4" drop across the top and vapors collected from 3" or 4" riser pipe. The vapor check valve adaptor permits coupling to the vapor return line from the underground tank in dual point systems. The poppet design seals off the vapor path when not coupled.

▶ **Package:**  
**Net Weight:**1.95Kg/pc  
**Gross Weight:** 1.96Kg/pc  
 36.5x48.5x40cm<sup>3</sup>/ case of 36pc

▶ **Ordering Specifications:**

product#	Connection Threads	SIZE	MATERIAL
ZHF-V-801	NPT 4"Female	4"	Anodized aluminum
ZHF-V-802	BSPT 4"Female	4"	Anodized aluminum

- ▶ **Features :**
- ◆ Constructed of anodized aluminum body
  - ◆ Eliminates digging---Slips into existing drop tubes
  - ◆ Fits all 4" vapor recovery elbows

**ZHF-API Check valve**

- ▶ **Materials:**  
**Body:** Cast aluminum  
**Spring:** Stainless steel  
**Discs Seals:** Buna-N
- ▶ **Package:**  
**Net Weight:**4.15Kg/pc  
**Gross Weight:** 4.2Kg/pc  
 39x45x38cm/ case of 8pc
- ▶ **Features :**
- ◆ Heavy-duty body
  - ◆ long-life performance
  - ◆ Easy and inexpensive to maintain-saal and conversion kits available
  - ◆ 4"x4" connection flange complies with Tw100
  - ◆ 300psi(20 bar) pressure rating



▶ **AILE ZHF-V Series**



▶ **AILE ZHF-API Check valve**



• Gas station fitting series

# AILE<sup>®</sup>

SHANGHAI  
AILE PETROLEUM  
EQUIPMENT  
MFG.CO.,LTD.

---

## Accessories Of Dispensing





## Type-75 Pump

► **Technique Specifications:**

**Working Motor Power:** 750 W  
**Maximum Flow:** 55L/min  
**Rotation speed of pump:** 520 r/min  
**Noise:** 68db(A)  
**Minimum vacuum pressure:** 0.054Mpa  
**Pressure Drop:** 0.12-0.25Mpa  
**Ex-factory pressure:** 0.18-0.20Mpa  
**Separate Ability of Oil and Air:** ≥20%

► **Package:**

**Net Weight:** 17kg/pc  
**Gross Weight:** 17.5kg/pc  
 35.5x27x33cm<sup>3</sup>/case of 1pc

► **Features & Benefits:**

- ◆ Positive displacement, self priming, internal gear type rotary pumping unit that integrate an internal air separation and adjustable bypass valve.
- ◆ Designed for quiet, vibration-free operation.
- ◆ Reusable suction strainer filter at inlet connection.
- ◆ Reverse check valve at air separator float mechanism.
- ◆ Check and relief valve at outlet of pumping unit.
- ◆ Body: Aluminum (Spray-painted) & Seals: Buna-N

► **AILE<sup>®</sup> Type-75 Pump**



## ZHB-90 Pump

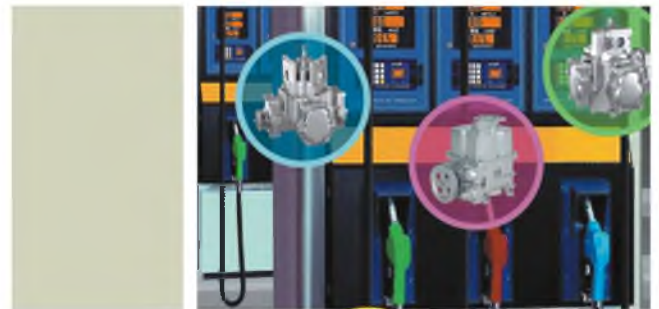
- The ZHB-90 Pump is applicable to gasoline, kerosene, diesel and some compatible fuel. Its inside construction includes overflow valve, relief valve, back valve, air-oil separator, inlet filter, outlet filter etc.

► **Technique Specifications:**

**Rotation Speed:** 680 Rpm - 980 Rpm  
**Flow Rate:** 45 L/Min - 90 L/Min  
**Vacuum Pressure:** ≥0.06 Mpa  
**Noise:** ≤72 Db  
**Working Pressure:** 0.18 Mpa - 0.3 Mpa

► **Package:**

**Net Weight:** 17kg/pc  
**Gross Weight:** 17.5kg/pc  
 36 x32 x 30cm<sup>3</sup>/case of 1pc



► **AILE<sup>®</sup> ZHB-90 Pump**



### SB-100 Flow Meter

► **Technique Specifications:**

Delivery Capacity per Revolution: 0.5L  
 Minimum adjusting increasing quantity: 0.05%  
 Working pressure: 0.12Mpa-0.3Mpa  
 Repeatable variation: not exceed  $\pm 0.1\%$

► **Package:**

Net Weight: 5.25kg/pc  
 Gross Weight: 5.5kg/pc  
 45.5x27.5x45.3cm<sup>3</sup>/case of 4pc

► **Features & Benefits:**

- ◆ Micro-accurate, 4-piston, positive displacement typemeter with rotary valve, exterior adjustment and double oil lip seal for long life.
- ◆ External structure achieved by single body design of components.
- ◆ Excellent accuracy  $\pm 0.2\%$  with high flow through-put
- ◆ Body: Alluminum (Spray-painted) & Seals: Buna-N
- ◆ 100% Factory Tested

► **AILE<sup>®</sup> SB-100 Flow Meter**



### JL-65 Flow Meter

► **Technique Specifications:**

Delivery Capacity per Revolution: 0.5L  
 Minimum Adjustable Quantity:0.025%  
 Accuracy with the flow range: $\pm 0.2\%$   
 Repeatable variation:  $\pm 0.1\%$   
 Max Flow: 90L  
 Min Flow: 5L

► **Package:**

Net Weight: 5.5kg/pc  
 Gross Weight: 5.6kg/pc  
 29x36x31cm<sup>3</sup>/case of 1pc

► **Features & Benefits:**

- ◆ Novel appearance, small body, excellent abrasion resistance, accurate measurement and long life & reliable service.
- ◆ Body: Aluminum Alloy
- ◆ Construction: Stainless steel cylinder bushing.
- ◆ 4 piston positive displacement.



► **AILE<sup>®</sup> JL-65 Flow Meter**



## JL- 473 Flow Meter

► **Technique Specifications:**

Delivery Capacity per Revolution: 0.473L  
 Minimum Adjustable Quantity:  $\pm 0.04\%$   
 Accuracy with the flow range:  $\pm 0.2\%$   
 Repeatable variation:  $\pm 0.1\%$

► **Package:**

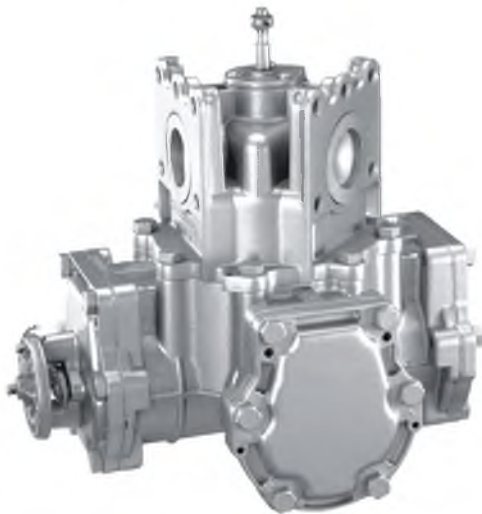
Net Weight: 6.5Kg/pc  
 Gross Weight: 6.8Kg/pc  
 30.3x26.5x30.5cm<sup>3</sup>/ case of 1pc

► **Features & Benefits:**

- ◆ Novel appearance, small body, excellent abrasion resistance, accurate measurement and long life & reliable service.
- ◆ Discharge port is directly above calibration dial
- ◆ Body: Aluminum Alloy
- ◆ Construction: Stainless steel cylinder bushing.
- ◆ 4 piston positive displacement.
- ◆ Plastic swivel ball and pin on shaft



► **AILE<sup>®</sup> JL- 473 Flow Meter**



## BWG Series Syphon

► **Materials:**

Pipe: stainless steel  
 Flange: stainless steel  
 Coupling: brass  
 Seal: Teflon  
 Working pressure: 0.25Mpa

► **Ordering Specifications:**

Product #	Diameter of pass	Connection	Length
BWG-813	38mm	Flange	130mm
BWG-816	38mm	Flange	160mm
BWG-830	38mm	Flange	300mm
BWG-S14	13mm	Thread 1/2"	250mm
BWG-S15	15mm	Thread 3/4"	250mm
BWG-S19	19mm	Thread 1"	250mm
BWG-S23	23mm	Thread 1-1/4"	250mm
BWG-S30	30mm	Thread 1-1/2"	250mm
BWG-S38	38mm	Thread 2"	250mm
BWG-513	38mm	Flange with NPT1 1/2"	130mm
BWG-516	38mm	Flange with NPT1 1/2"	160mm
BWG-530	38mm	Flange with NPT1 1/2"	300mm
BWG-613	38mm	Flange with BSPT1 1/2"	130mm
BWG-616	38mm	Flange with BSPT1 1/2"	160mm
BWG-630	38mm	Flange with BSPT1 1/2"	300mm

► **AILE<sup>®</sup> BWG Series Syphon**



**AL series of Filter Adaptors**

**R18189-30 Pump Filter**

▶ AILE filter systems consist of two parts, a static filter adaptor (head) and a replacement element (R18189-30). Providing simultaneous water detection and particulate removal the AILE range of fuel filters are an ideal solution to most commercial transfer applications ensuring that fuel quality does not compromise your fleets performance.

▶ AILE's R18189-30 pump filter designed for gasoline or diesel service station pump, commercial fueling dispensers, and most Dresser and Tokheim service station dispensers. Compatible with gasoline, diesel service, ethanol, and methanol blend up to 10%.The function is removes particulate contaminant such as dirt, dust, and rust.

▶ **Features & Specifications:**

- ◆ **Material:** Alluminum
- ◆ **Description:** Single Adaptor
- ◆ **Fuel Ports:** BSPP3/4", Nose: 1"-12UNF  
BSPP1/2", Nose: 1"-12UNF  
BSPP1", Nose: 1"-12UNF  
BSPP1+1/2", Nose: 1"-16UNF

▶ **Package:**

**Net Weight:** 0.57 Kg/pc  
**Gross Weight:** 0.575Kg/pc  
50x31x30 cm<sup>3</sup>/Case of 30pc

▶ **Features:**

- ◆ maximum working pressure:3.0bar
- ◆ maximum flow:25gpm(94.6lpm)
- ◆ 10micron and 30 micron available
- ◆ pre-lubed Gaskets standard

▶ **Package AI50009 :**  
**Net Weight:** 0.393 Kg/pc  
**Gross Weight:** 0.4Kg/pc  
32x41x22 cm<sup>3</sup>/Case of 40pc

▶ **Package AI50010 :**  
**Net Weight:** 0.465 Kg/pc  
**Gross Weight:** 0.5Kg/pc  
32x41x22 cm<sup>3</sup>/Case of 40pc

▶ **Package AI50034 :**  
**Net Weight:** 0.459 Kg/pc  
**Gross Weight:** 0.5Kg/pc  
48x48x24cm<sup>3</sup>/Case of 50pc

▶ **Package AI50105 :**  
**Net Weight:** 1 Kg/pc  
**Gross Weight:** 1.1Kg/pc  
44x42x30 cm<sup>3</sup>/Case of 24pc

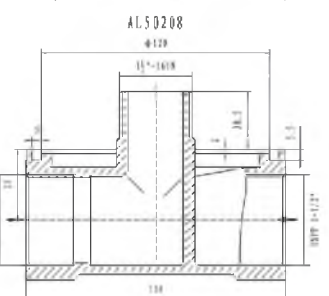
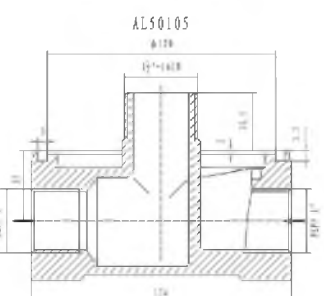
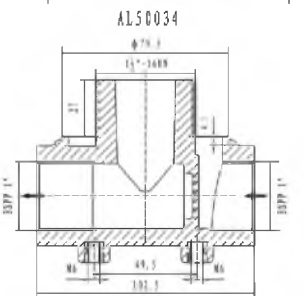
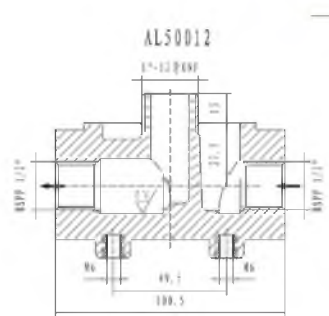
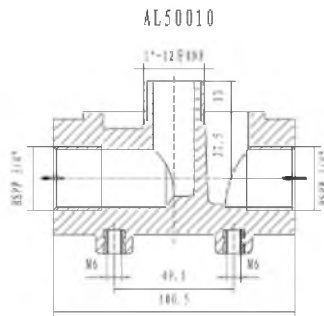
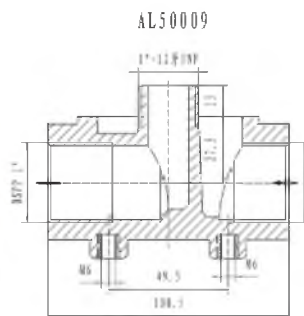
▶ **Package AI50208 :**  
**Net Weight:** 0.6 Kg/pc  
**Gross Weight:** 0.7Kg/pc  
44x42x30cm<sup>3</sup>/Case of 24pc

▶ **Package AI50012 :**  
**Net Weight:** 0.45 Kg/pc  
**Gross Weight:** 0.5Kg/pc  
32x41x22 cm<sup>3</sup>/Case of 40pc

▶ **AILE<sup>®</sup> R18189-30 Pump Filter**



▶ **AILE<sup>®</sup> AL series of Filter Adaptors**



## YBS Series Steel Body Electromotor

► AILE's YBS series electromotor use to the place contain the explosion mix burn gaseous body and air. Use to the petrol machine, diesel oil machine, proof explosion fan machine and proof explosion pump.

### ► Ordering Specifications:

TYPE	POWER		Voltage (A)	(r/min)	Hz
	HP	KW			
YBSC96S-4	3 / 4	0.55	220 4	1425/1725	50/60
YBSC96L1-4	1	0.75	220 5.1	1425/1725	50/60
YBSC96L2-4	1 1 / 2	1.1	220 6.5	1425/1725	50/60
YBSS96S1-4	3 / 4	0.55	380 1.5	1400/1700	50/60
YBSS96S2-4	1	0.75	380 2	1400/1700	50/60
YBSS96L1-4	1 1 / 2	1.1	380 2.8	1400/1700	50/60
YBSS96L2-4	2	1.5	380 3.8	1400/1700	50/60

### ► Dimensions for overall and mounting

Product#	YBSC96S	YBSC96L1	YBSC96L2
L	355	370	390

Product#	YBSS96S	YBSS96L1	YBSS96L2
L	296	325	348

### ► AILE<sup>®</sup> YBS Series Steel Body Electromotor



## YBS Series Aluminum Electromotor

► AILE's YBS series electromotor use to the place contain the explosion mix burn gaseous body and air. Use to the petrol machine, diesel oil machine, proof explosion fan machine and proof explosion pump.

### ► Ordering Specifications:

TYPE	POWER		Voltage (A)	(r/min)	Hz
	HP	KW			
YBSO801-2	1	0.75	380 1.8	2800/3430	50/60
YBSO802-2	1.5	1.1	380 2.5	2800/3430	50/60
YBSO801-4C	3 / 4	0.55	380 1.6	1390/1690	50/60
YBSO802-4C	1	0.75	380 2	1390/1690	50/60
YBSO803-4C	1.5	1	380 2.6	1390/1690	50/60
YBSO804-4C	1.5	1.1	380 2.8	1390/1690	50/60

### ► Dimensions for overall and mounting

Product#	YBSO801-2	YBSO802-2	YBSO801-4
L	295	295	295

Product#	YBSO802-4	YBSO803-4
L	295	315

### ► AILE<sup>®</sup> YBS Series Aluminum Electromotor





## AILE FYRQ-H Double Wall Spill Containment

▶ AILE FYRQ-H Double Wall Spill Containment spilled product from entering the soil. The FYRQ-H threads directly on a 4" riser pipe and accommodates tank fittings as close as 18" center to center. Both primary and secondary bellows are made of polyethylene to allow for tank movement as well as concrete pad settling. Compact design allows for new site as well as retrofit installations. Drain valve opens downward into the tank, maximizing sealing during tank testing. Drainage channels in the rim keep surface water out. This heavy-duty ductile iron rim is built to handle the abuse of snow plows. The lid incorporates the exclusive triple wiper seal and built-in side handle which allows for easy, one-hand opening, and meets AASHTO H20 wheel loading.

▶ **Materials:**

**Cover:** Cast Iron  
**Mounting ring:** Cast Iron  
**Bellows:** Polyethylene  
**Base:** Compound Fibre  
**Clamps:** Stainless Steel  
**Seals:** Buna-N

▶ **Package:**

**Net Weight:** 28kg/pc  
**Gross Weight:** 30kg/pc  
 48x48x50cm<sup>3</sup>/case of 1pc

▶ **AILE<sup>®</sup> FYRQ-H**



▶ **Features & Benefits:**

- ◆ **Non-corrosive gravel guard.**
- ◆ Handles serve as anchoring devices in the concrete to prevent movement of the manhole after installation; also aid in carrying container.
- ◆ Easily repair or replace primary and secondary containment from grade without breaking concrete.
- ◆ **Easy installation** - Reduces job-site time and installation costs. Thread-On Spill Containment screw directly onto 4" NPT or BSP risers. No external connections to make; adjust the final grade height and support the unit with backfill.
- ◆ **Integral Pull-to-Open Drain Valve** - Allows high-speed drainage of excess product into the tank. Designed with a conventional self-cleaning seal and removable screen for easier component cleaning.
- ◆ **Capacity** - Available in a true 5 gallon capacity.
- ◆ **Rain-Shedding Cover** - Available in cast iron, this unique design incorporates a seal in the underside of the cover. The seal seats between 2 dams on the mounting ring to prevent surface water from entering the spill container.
- ◆ **Fuel Compatibility** - Designed to accommodate the fuels of the future, including methanol, ethanol and fuels with MTBE additives.
- ◆ **Heavy-Duty Mounting Ring** - The angled ramp design offers superior protection against snow and conductive. A rugged optional cast iron base is also available.

▶ **Ordering Specifications:**

Product#	Connection Threads	Material of Cover
FYRQ-H-801	NPT4"	Cast Iron
FYRQ-H-802	BSPT4"	Cast Iron



## FYRQ-01 5GL Thread-On Spill Container

► AILE Spill containment Manhole is designed to prevent spilled product from entering the soil near the fill and vapor return riser connections on underground storage tanks during normal tank filling operation, or in the event of tank overfill. The spill containment catches spillage to help prevent soil contamination and ground water pollution. AILE Thread-On Spill Containment Manhole is generally used on new tank or riser pipe installations.

► **Materials:**

**Cover:** Cast Iron/Aluminum

**Mounting ring:** Cast Iron

**Bellows:** Polyethylene

**Base:** Compound Fibre

**Clamps:** Stainless Steel

**Seals:** Buna-N

► **Package:**

**Net Weight:** 25.35kg/pc

**Gross Weight:** 28kg/pc

42x42x48cm<sup>3</sup>/case of 1pc

► **Ordering Specifications:**

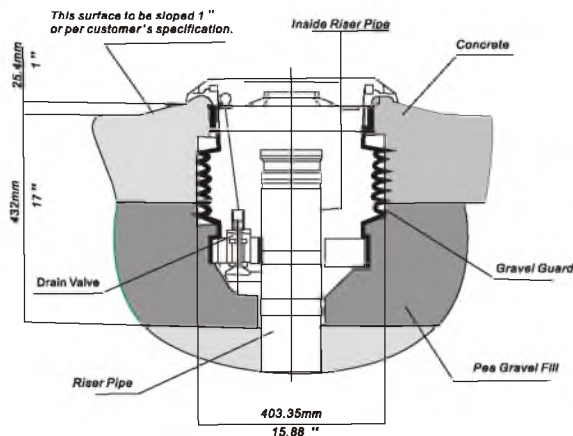
Product#	Connection Threads	Material of Cover
FYRQ-O1-801	NPT4"	Cast Iron
FYRQ-O1-802	NPT4"	Aluminum
FYRQ-O1-803	BSPT4"	Cast Iron
FYRQ-O1-804	BSPT4"	Aluminum

► **Features & Benefits:**

- ◆ **Easy installation** - Reduces job-site time and installation costs. Thread-On Spill Containment screw directly onto 4" NPT or BSP risers. No external connections to make; adjust the final grade height and support the unit with backfill.
- ◆ **Integral Pull-to-Open Drain Valve** - Allows high-speed drainage of excess product into the tank. Designed with a conventional self-cleaning seal and removable screen for easier component cleaning.
- ◆ **Capacity** - Available in a true 5 gallon capacity.
- ◆ **Rain-Shedding Cover** - Available in cast iron, this unique design incorporates a seal in the underside of the cover. The seal seats between 2 dams on the mounting ring to prevent surface water from entering the spill container.
- ◆ **Fuel Compatibility** - Designed to accommodate the fuels of the future, including methanol, ethanol and fuels with MTBE additives.
- ◆ **Heavy-Duty Mounting Ring** - The angled ramp design offers superior protection against snow and conductive. A rugged optional cast iron base is also available.



► **AILE<sup>®</sup> FYRQ-01**



**Installation Instruction**





## FYRQ-E1 5GL Grade Level Spill Container

► AILE ' S FYRQ-E1 Spill Containers are designed to collect spilled product That occurs during normal tank filling on underground storage tanks. 5Gallon Spill Containment Manhole comes equipped with a Fiber Reinforced Composite snap-on cover for easy access. The durable and flexible polyethylene shell gives with natural tank movements. It's equipped with a cast iron deflector ring to protect from heavy traffic and truck plows. The cast iron base easily threads onto the tank riser. Also featured is a pull to push drain to relase contained product into the underground storage tank.

► **Materials:**

**Cover:** PA 66 nylon/Cast Iron

**Mounting ring:** Cast Iron

**Bellows:** Polyethylene

**Base:** Cast Iron

**Seals:** Buna-N

► **Package:**

**Net Weight:** 29.5kg/pc

**Gross Weight:** 31.85kg/pc

46x45x40.5cm<sup>3</sup>/case of 1pc

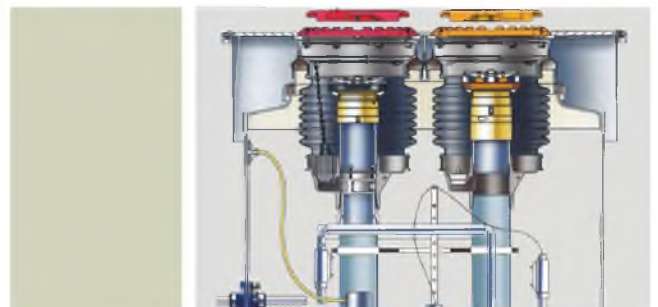
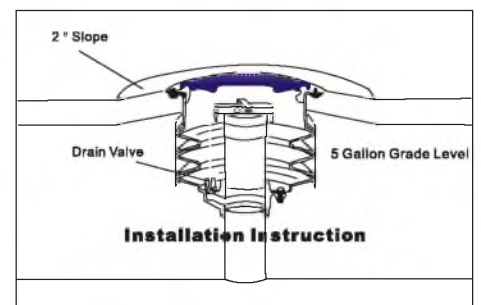
► **Ordering Specifications:**

Product#	Connection Threads	Material of Cover
FYRQ-E1-801	NPT4"	PA 66 nylon
FYRQ-E1-803	BSPT4"	PA 66 nylon

► **Features & Benefits:**

- ◆ **Solid Construction** - The durable and flexible polyethylene shell is designed to move with natural ground movements. The shell is equipped with a gravel guard to prevent backfill material from filling in around the movable shell, eliminating problems with ground movement.
- ◆ **Cast Iron base**-AILE' s base design is the most reliable in the industry. The polyethylene shell is bolted between the cast iron base, a durable cork gasket and special backer plates ensuring a long lasting, watertight seal. Both bases easily thread onto a 4" tank riser.
- ◆ **Heavy Duty Cast Iron Deflector Ring** - The cast iron ring provides protection from heavy traffic and truck plows .It' s unique design allows for water to run away from the spill container top, eliminating water collection in the bucket. The cast iron ring is mounted to the bucket by bolting the spill bucket between the cast iron ring and specially designed backer plates. This helps eliminate the chance of damage due to excessive movements.
- ◆ **Drain Valve** - A specially designed drain valve allows emptying of contained product back to the storage tank without messy plugs or pumps. By pilling the key ring located towards the top of the spill container, the valve pushes open to allow product to drain. The drain is equipped with a screen for convenient cleaning.
- ◆ **Many Cover Options** - AILE' s colored composite covers help prevent cross contamination and eliminate the need to constantly paint, by molding the permanent color into the cover. All spill containers are available with a black, red, yellow, blue cover. Cast iron covers are also available for most rain tight models.

► **AILE<sup>®</sup> FYRQ-E1**



## DKG-MWM Monitoring Well Manholes

▶ These manholes are equipped with strong cast iron bolt-down lids to provide a “limited access”, watertight seal to prevent drieway contamination from entering manhole, and a heavy duty cast iron rim for street traffic. A distinctive triangle design and words, “Do Not Fill-Test Well” are cast into the cover to meet API specifications.

▶ **Materials:**

**Body ring:** Cast Iron  
**Cover:** Cast Iron  
**Skirt:** steel (104 AOW/MW)  
**Gasket:** Buna-N

▶ **Ordering Specifications:**

Product#	Dia(In/mm)	Skirt Depth(In/mm)	Lbs/Kg
DKG-MWM-8	8"/203	13"/330	18/8
DKG-MWM-10	10"/254	12"/305	25/11

▶ **Features & Benefits:**

- ◆ Painted ductile iron lid and rim.
- ◆ **Heavy-duty**, 100% welded skirts available.
- ◆ Bolt-down units have water-tight lids.
- ◆ Stainless steel bolts.
- ◆ **Secure Cover** - Two recessed, self-aligning stainless steel bolts with O-rings secure cover to the body ring.
- ◆ **Prevention Against Surface Water Contamination** - A gasket located in the ring prevents contamination from rain water or during washdown.
- ◆ **Maximum Load Bearing Capacity** - Cast iron covers and body rings are heavily ribbed to ensure maximum load bearing capacity.
- ◆ **Trouble-Free Installation** - Sturdy steel skirts extend nearly a foot below grade to ensure trouble-free installation even in deep concrete.
- ◆ **Full-Size Internal Diameters for Maximum Access and Working Area.**
- ◆ **Highway 20 Rated (H20)** - All AILE spill containers and manholes exceed the requirements of the Highway 20 rating.
- ◆ Individually Boxed for Ease of Handling.
- ◆ Galvanized Steel Skirt and Three Recessed Stainless Steel Bolts.

▶ **AILE<sup>®</sup> DKG-MWM**



## DKG-AM16 Composite Manhole

▶ The AILE DKG-AM16 Composite Manhole is a new design in lightweight, slip-resistant composite manhole covers. Using the latest manufacturing technology to ensure porosity-free molding, and compact, homogeneous distribution of reinforcing fiber, these covers easily exceed H20 wheel loading requirements. The covers also utilize a UV resistant treatment to protect against sun and weather damage.

▶ **Materials:**

**Body ring:** PE  
**Cover:** Compound Fibre

▶ **Ordering Specifications:**

Product#	Dia(In/mm)	Skirt (In/mm)
DKG-AM16	16"/406	18"/456

▶ **Features & Benefits:**

- ◆ Exceeds AASHTO H20 wheel loading
- ◆ Reduces lid weight by 50% compared to traditional steel lids
- ◆ Durable composite construction of fiberglass and polyester resin
- ◆ Slip-resistant tread pattern tested in marine applications
- ◆ Available in lay-in and bolt-down, water-resistant styles
- ◆ Easy lid removal and replacement

▶ **AILE<sup>®</sup> DKG-AM16**



### LJQ-01 Tight Fill Pipe Adaptor

▶ Tight-Fill Adaptor is installed in spill containment manhole on the fill riser pipe from an underground fuel storage tank. They mate with the gravity, drop delivery elbow on the transport truck.

▶ **Package:**

**Net Weight:** 1.125kg/pc

**Gross Weight:** 1.17kg/pc

40.5x27x15.3cm<sup>3</sup> / case of 12pc

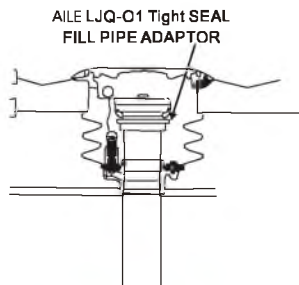
▶ **Ordering Specifications:**

Product No	Elbow Size	Riser Thread	Kg	Material
LJQ-01	4"	BSP/NPT4"	1.0	Bronze

▶ **Features & Benefits:**

- ◆ Easy Installation - Integral internal wrenching lugs are provided for installing in the confined space of spill containers.
- ◆ Manufactured from durable, Corrosion-Resistant material -Bronze.

▶ **AILE<sup>®</sup> LJQ-01**



### LJQ-E1 Side Seal Fill Pipe Adaptor

▶ AILE 's side seal fill pipe adaptors are installed on the fill riser pipe in spill containment manholes on an underground storage tank. The adaptors are used to connect delivery drop elbow to the fill pipe for fuel deliveries. AILE 's side seal adaptors fits all 4" side seal drop elbow and side seal adaptor.

▶ **Package:**

**Net Weight:** 0.75kg/pc

**Gross Weight:** 0.79kg/pc

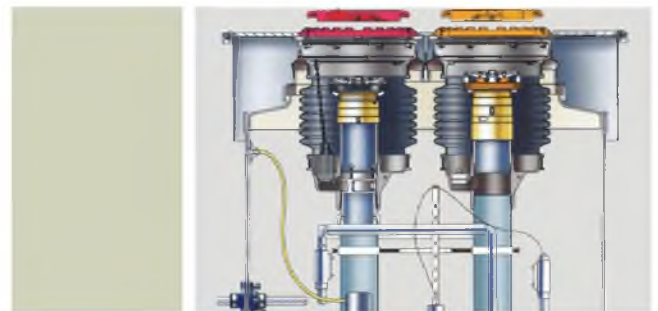
40.5x27x15.3cm<sup>3</sup> / case of 12pc

▶ **Ordering Specifications:**

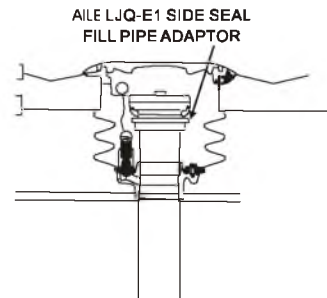
Product#	Connection	Threads	Kg
LJQ-E1-801	NPT/BSP 3	4.00	1.00
LJQ-E1-802	NPT/BSP 4"	4.00	

▶ **Features & Benefits:**

- ◆ Corrosion resistant bronze
- ◆ Nitrile gasket provides a secure seal onto the fill riser pipe



▶ **AILE<sup>®</sup> LJQ-E1**



### DG-O1 Tight Seal Fill Cap

- ▶ Tight-Fill Top-Seal Caps are installed on top seal adaptor, when not in use, to prevent gasoline vapors from escaping and to prevent water, dust, and debris from entering tank.  
The DG-O1 is designed to mate with 4" LJQ-O1 Top-Seal Adaptors.

Heavy duty and corrosion resistant, the body is made of PA66 to help eliminate rust and oxidation for a long maintenance-free life. The toggle lever distributes downward pressure to compress its Buna-N gasket evenly, assuring a positive, water and vapor-tight seal. The DG-O1 can be locked with a padlock or wire seal.

- ▶ **Materials:**  
**Cap & Link:** Pa66  
**Pins:** Stainless Steel  
**Gasket:** Buna-N  
**Color:** Black

- ▶ **Package:**  
**Net Weight:** 0.5kg/pc  
**Gross Weight:** 0.57kg/pc  
 48x48x32cm<sup>3</sup>/case of 30pc

- ▶ **Features & Benefits:**
  - ◆ Stainless steel poppet, shaft, and latch plate
  - ◆ Aluminum bronze cam
  - ◆ Bronze handle
  - ◆ Fluorocarbon & Buna-N seals
  - ◆ TTMA Standard

### ▶ AILE<sup>®</sup> DG-O1 Tight Seal Fill Cap



### DG-E1 Side Seal Fill Cap

- ▶ AILE 's side seal fill cap are used to prevent vapors from escaping from the fill riser pipe on the underground storage tank when it is not being filled. The easy to operate "T" handle provides a convenient method of removal and replacement. Simply pull to remove and push to replace.

- ▶ **Package:**  
**Net Weight:** 0.53 kg/pc  
**Gross Weight:** 0.6 kg/pc  
 48x48x32 cm<sup>3</sup>/Case of 30pc

- ▶ **Features & Benefits:**
  - ◆ Padlock capability for positive locking
  - ◆ Stainless steel latches
  - ◆ Cap body-corrosion resistant PA66
  - ◆ Copper infiltrated cams



### ▶ AILE<sup>®</sup> DG-E1 Side Seal Fill Cap



## TZA-K Probe Installation kit

▶ AILE 'S TZA-K Probe Installation Kit is used to install liquid level probes in underground tank application. It is designed to allow the probe to be suspended in a 4 inch riser pipe. This method of installation guarantees that the probe can provide accurate level information and that the tank is sealed in accordance with regulatory requirements. It also provides excellent protection for the probe. The TZA-K installation kit makes it easy to install liquid level probes properly and safely.

The TZA-K installation kit actually suspends the level sensor from the top of the riser. The kit is designed so that the probe and cable do not twist during installation and so the cable is sealed and strain relieved. It also allows easy access to the probe for inspection if required. The TZA-K installation kit allows you to install level probes in almost any underground tank. It works equally well in fiberglass and steel tanks, and can be adjusted to accommodate tanks buried at almost any depth.

▶ **Features :**

**Cover:** PA 66 nylon

**Adaptor:** PA 66 nylon

**Seals:** Buna

4" female threads by 4" cam and groove

▶ **AILE<sup>®</sup> TZA-K Probe Installation kit**

▶ **Package:**

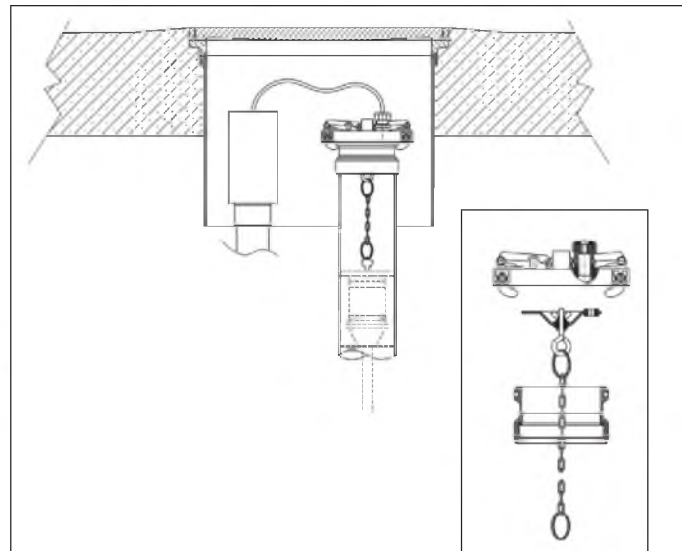
**Net Weight:** 1.12 kg/pc

**Gross Weight:** 1.6 kg/pc

40x47.5x51 cm<sup>3</sup>/Case of 24pc

▶ **Ordering Specifications:**

product#	Connections Threads
TZA-K-801	NPT4"
TZA-K-802	BSPT4"



## Visualite Canopy Luminaires For High Visibility

- ▶ Good effect on illumination, specially design for gas station, parking garages, storage, car wash bays, etc. Installation by the embedding-type and adsorption type Many kinds of installation, more convenience to change Suitable for illumination of petrol station and warehouse.

▶ **Package for base:**

**Net Weight:** 4.55 kg/pc  
**Gross Weight:** 4.9 kg/pc  
 35.5X20.5X15.5cm<sup>3</sup>/Case of 1pc

▶ **Package for glass cover:**

**Net Weight:** 7.4 kg/pc  
**Gross Weight:** 8.2 kg/pc  
 40X37X21cm<sup>3</sup>/Case of 1pc

▶ **Technical parameter:**

**Working temperature:** -30C - 40°C  
**Working voltage:** 120V, 220V, 240V /50Hz/60Hz  
**Power:** 250W,400W metal Halide.

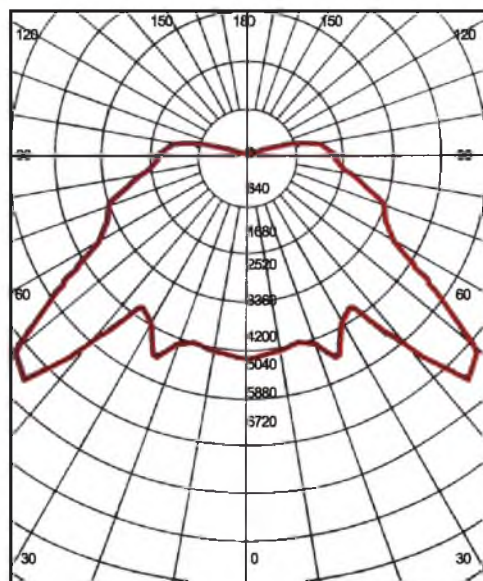
▶ **Ordering Specifications:**

Product#	voltage	Rated voltage	Colour temperature
VCL250	250W	220V±5%	4000K
VCL320	320W	220V±5%	4000K
VCL400	400W	220V±5%	4000K

▶ **Features & Benefits:**

- ◆ Rugged cast aluminum construction designed for rigid mounting and long life.
- ◆ Tool-free entry with spring-loaded touch latch allows easy maintenance, re-lamping from the ground with lamp stick.
- ◆ Borosilicate non-yellowing glass refractor provides high performance, uniform light distribution.
- ◆ Vertical lamp is included and provides maximum output and life.
- ◆ Internal quick-connect simplifies wiring of optical assembly, easing installation.
- ◆ Silicone gasketing seals optical assembly.
- ◆ **Refractor** -High-efficiency,high-performance,heat-resistant borosilicate prismatic glass refractor,self-cleaning system,provide great visual comfort and improved uniformity.
- ◆ **Door Assembly**-Heavy duty die-cast aluminum door and integral glare shield supports the refractor,while polyester powder coat finish.complete sealed for high security and anti-rust.
- ◆ **Reflector**-High pure hydroformed aluminum reflector distributes lamp lumens across the prismatic refractor to form the optical train for even,efficient,uniform message visibility.
- ◆ **Lamp**-A 250W/400W Clear Metal Halide lamp is included with each fixture for matched performance.
- ◆ **Ballast**-Heavy-duty,die-cast aluminum ballast box, reduce the heat from the lamp provides strong protection for inside components. Electronic components is 100% factory tested.High power factor, matched for worldwide Ambient operation.

▶ **AILE<sup>®</sup> Visualite Canopy Luminaires For High Visibility**



# AILE<sup>®</sup>

SHANGHAI  
AILE PETROLEUM  
EQUIPMENT  
MFG.CO.,LTD.

---

## Vapor Recovery System Products



## ZYQ-200 Series Of Vapour Recovery Nozzles

▶ AILE ZYQ-200 series of vapour recovery nozzles are suitable for full electronic vapour/volume control dispensers. The fuel-dispensing nozzle with an automatic safety shut off for wet-hose use with electrical operated petrol dispensing pumps for the 'active' vapour recovery. Each nozzle has been subject to stringent tests before leaving the factory and validated by the applied markings and date code. AILE ZYQ-200 is supplied for connecting to the AILE-SSI hose.

▶ **Materials:**

Body: aluminium alloy  
Seals: viton  
SPOUT: brass with nickel coated  
GUARD: aluminium of PA66  
Lever: electrophoresis coated  
Covers: Soff PVC

▶ **Package:**

Net Weight: 1.8 kg/pc  
Gross Weight: 2 kg/pc  
55x34x32.2cm<sup>3</sup>/Case of 10pc

▶ **Ordering Specifications:**

Product #	Inlet thread	Outlet diameter	Material Of Lever-guard	Type of vapour valve
ZYQ-200A-801	NPT M34X1.5 female	13/16"	Pa66	with vapour proportional valve
ZYQ-200A-802	NPT M34X1.5 female	13/16"	Aluminum	with vapour proportional valve
ZYQ-200B-803	NPT M34X1.5 female	13/16"	Pa66	N/A
ZYQ-200B-804	NPT M34X1.5 female	13/16"	Aluminum	N/A
ZYQ-200C-805	NPT M34X1.5 female	13/16"	Pa66	with vapour "on/off" valve
ZYQ-200C-806	NPT M34X1.5 female	13/16"	Pa66	with vapour "on/off" valve

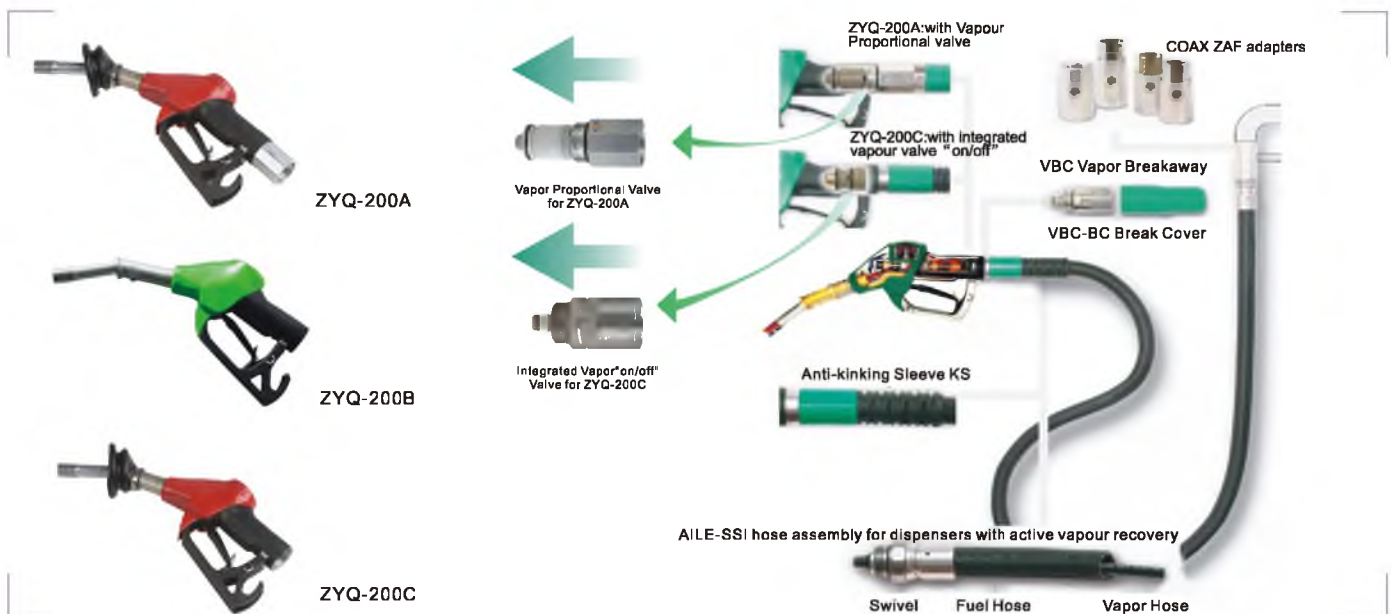
▶ **Features & Benefits:**

- ◆ APPLICATION: For all normal gasoline fuels - leaded or unleaded. Not suitable for water and hydrous liquids, alcohols, solvents, viscous oils and diesel fuels.
- ◆ EQUIPMENT: TRISTOP=venture controlled automatic shut-off +safety (protection when tilting and falling) + optionally with pressure controlled safety shut-off.
- ◆ SPECIFICATION: Automatic nozzle ZYQ-200 series for motor car refueling up to 45L/min, with Vapour recovery for working pressure from 0.5bar up to 3.5bar, at ambient temperatures from -20°C up to +55°C.
- ◆ AVAILABLE COLORS: Red, Yellow, Blue, Green, Black.
- ◆ THREE POSITION HOLD-OPEN DEVICE: control of hold-open mechanism means easy setting of flow rate

▶ **Warning:**

Using foreign objects to hold open automatic nozzles could result in failure to shut-off and personal injury.

▶ **AILE ZYQ-200 Series**





## AILE-SSI Vapor Hose

▶ For Stage II Vacuum Assist Systems where a pump in the dispenser pulls the gasoline vapors away from the vehicle fill pipe during fueling. Wire braid construction provides excellent kink resistance and low computer creep.

### ▶ **Features & Benefits:**

- ◆ TUBE: Nitrile synthetic rubber (ORS)
- ◆ COVER: Chemivic synthetic rubber (ORS), thermoplastic outer with textile reinforcement and wire helix
- ◆ REINFORCEMENT: Braided (1) steel wire
- ◆ TEMPERATURE: -40° F to 140° F (-40° C to 60° C)

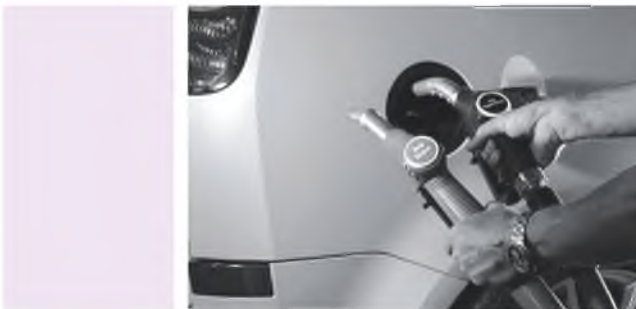
▶ COAX hose assembly for dispensers with active vapour recovery.

Available hose colours: black, green, blue, yellow, red.

Low Temperature (LT) versions available Low Temperature Bending Force / Flexibility:

With increasing cold petrol pump hoses become stiffer and more difficult to handle, particularly when they are empty or filled with Diesel which causes little swelling. When filled with gasoline the swelling of the tube acts as plasticizer improving the cold flexibility.

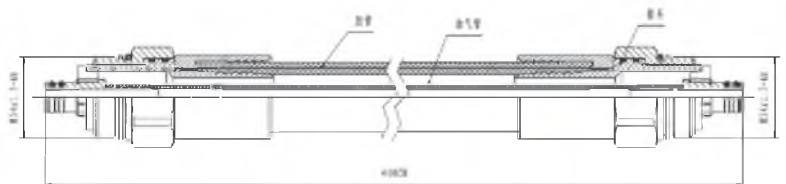
The EN 1360 specifies that a new petrol pump hose must not require a higher bending force than 180 N when bending the hose at - 30° C in a normed device. Our standard qualities regularly require clearly lower bending forces."GOOD YEAR" hoses ( "Low Temperature" ) are cold flexible up to - 40° Celsius. They meet all requirements of EN 1360.



### ▶ **Ordering Specifications:**

Product #	Inlet thread	Outlet diameter	Length	Hose by
YQJG-36	M34 X 1.5	M34 X 1.5	36CM	Good Year
YQJG-400	M34 X 1.5	M34 X 1.5	400CM	Good Year
YQJG-500	M34 X 1.5	M34 X 1.5	500CM	Good Year
YQJG-600	M34 X 1.5	M34 X 1.5	600CM	Good Year

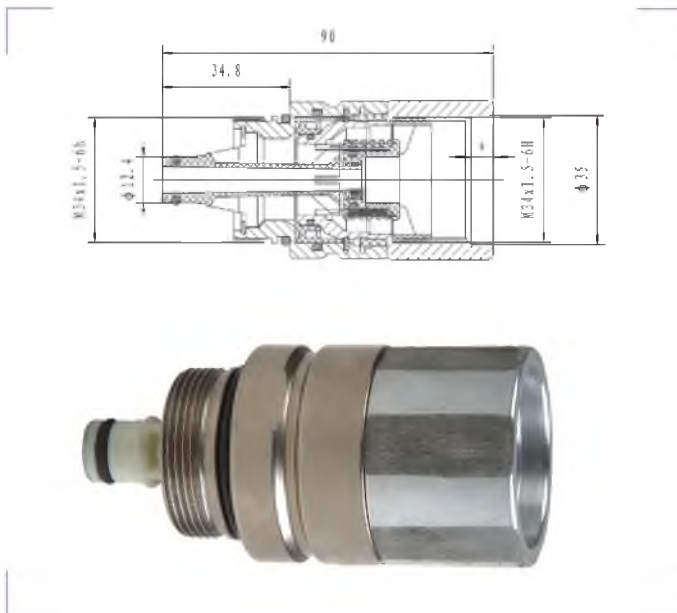
### ▶ **AILE SSI Vapor Hose**



### YQLD-01 COAX Safety Break

- ▶ against drive-off incidents. For assembly between vapour recovery nozzle and COAX hose assembly. Separates at axial or angular pulloff forces less than 150 kg. Again and again motorists leave the nozzle inserted in the filler neck of their cars when pulling off the forecourt. Most drive-away incidents are not published - but they happen every day, due to absentmindedness, rush - e. g. after a petrol theft, and occasionally vandalism. AILE COAX break-away couplings prevent dispensers from being pulled over and fuel spills. In other words: They save costs.
- ▶ **Materials:**  
Body: aluminium alloy  
Seals: viton
- ▶ **Features & Benefits:**
  - ◆ INTEGRATED SWIVEL: The AILE COAX Safety Breaks have an integrated swivel which substitutes the standard swivel. This saves costs, and there is only a minimal increase in weight and size of the nozzle.
  - ◆ OPTIMAL FIT FOR THE ZVA SYSTEM: AILE COAX Safety Breaks are well suited to our ZYQ-200 Vapor nozzles, as they maintain the excellent flow rates. A large number of thread connections are available.
  - ◆ NO THROWAWAY MENTALITY: Our Safety Breaks are reusable. After a separation the coupling can be re-assembled by qualified service personnel.
  - ◆ EASY INSTALLATION: Existing dispensers without Safety Breaks can be easily retrofitted.

### ▶ AILE<sup>®</sup> YQLD-01 COAX Safety Break



### ZYQ-200 Vapor Proportional Valve

- ▶ ZYQ-200 Vapor Proportional Valve is used for AILE ZYQ-200A Vapor Recovery Nozzles. It's easiled to adjust vapor recovery rate.
- ▶ **AILE<sup>®</sup> SSI Vapor Hose**



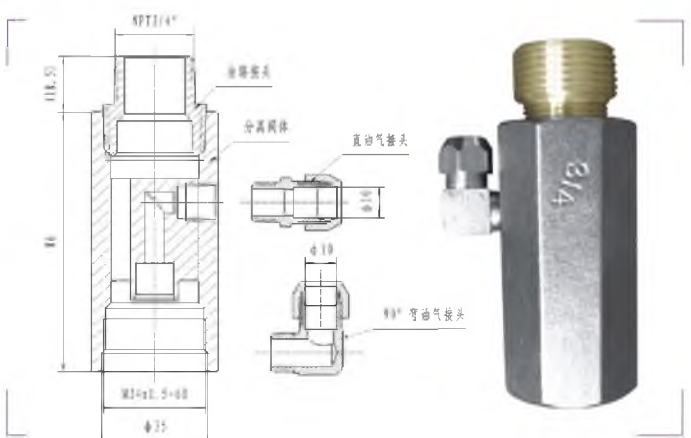
### YQFL-01 COAX adaptor

- ▶ AILE YQFL-01 COAX adaptor (splitter valve) for petrol pumps.it's a cast aluminum hose adaptor used to connect a non vapor-ready gasoline dispenser to a coaxial Healy stage II vapor recovery hose. It has tapered BSPT threads on the inlet and straight threads on the outlet side.

#### ▶ Ordering Specifications:

Product #	Inlet thread	Outlet diameter	Material
YQFL-01-801	NPT 3/4"	M34 X 1.5	Aluminum
YQFL-01-802	NPT 1"	M34 X 1.5	Aluminum
YQFL-01-803	BSPT 3/4"	M34 X 1.5	Aluminum
YQFL-01-804	BSPT 1"	M34 X 1.5	Aluminum

#### ▶ AILE<sup>®</sup> YQFL-01 COAX adaptor



## VRP-76L Dispenser Mounted Vacuum Pump For Stage II Vapor Recovery

▶ VRP-76L dispenser mounted vacuum pump able to operate with all type of nozzle, hose, breakaway and adapter.

▶ **Benefits:**

- ◆ Easy mount in all type of dispenser
- ◆ Driven by suction type dispenser motor
- ◆ No electronic parts
- ◆ Durable & high efficiency
- ◆ Less maintenance cost
- ◆ Able to handle 2 nozzles in simultaneous
- ◆ Compatible to all vapor recovery system
- ◆ Full service parts support
- ◆ Designed for UL and ATEX standard

▶ **Specifications:**

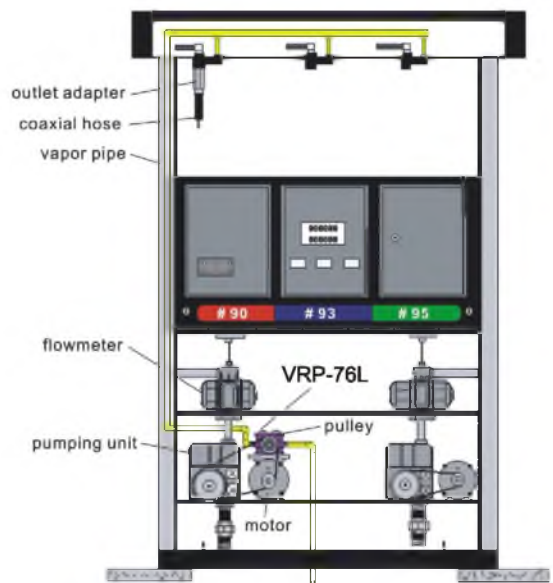
Efficiency: 1/8 HP  
 RPM: 1800 rpm  
 Capacity: 80 LPM  
 Inlet/ outlet dia: 1/2 φ  
 Temperature Range: -35°C to 65°C

▶ **Installation Instruction:**

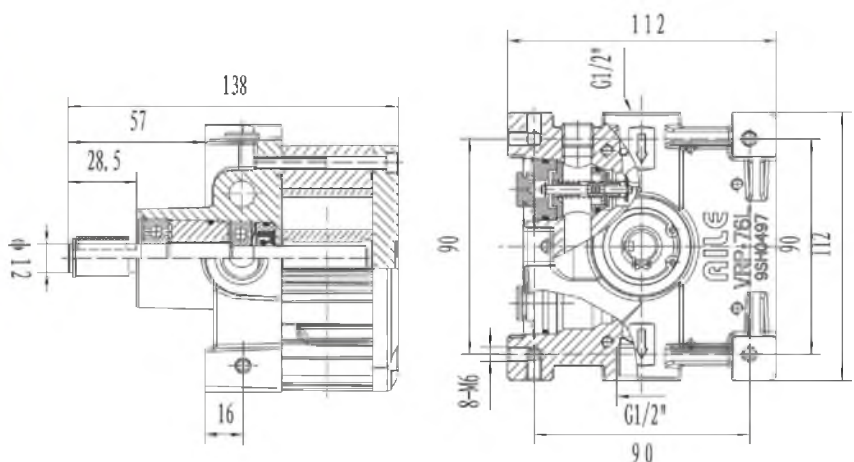
One pump is required to mount on a bracket and attached on the frame of the dispenser. Calculation is required to work out the dimension of pulley for VRP-76L pump. It is then driven by a belt extended from dispenser motor and fuel pumping unit. Diameter of vapor pump pulley related to speed and pulley size of dispenser motor. VRP-76L pump will give you optimum performance of vacuum 90" W.C. At 1800 rpm. Therefore to work out diameter of VRP-76L pulley will be 1800 rpm divided by rpm of motor and multiply the diameter of motor pulley.

▶ **Features:**

- ◆ High durability as it has cast iron casing and able to work under extreme tough condition in various temperature and climate; mishandling, last long running without lubricant.
- ◆ Simple and easy installation driven by pulley & belt and powered by motor from dispenser.
- ◆ One pump one dispenser to give you maximum capacity and efficiency.
- ◆ Easy for maintenance and big saving for long term.
- ◆ No electrical and electronic parts.
- ◆ Simple mechanism using only vane and rotor to pull vacuum and minimize cost of spare parts.



▶ **AILE<sup>®</sup> VRP-76L**



## DR-030 Dispenser Mounted Vacuum Pump For Stage II Vapor Recovery

▶ DR-030 dispenser mounted vacuum pump able to operate with all type of nozzle, hose, breakaway and adapter .

▶ **Benefits:**

- ◆ Easy munt in all type of dispenser
- ◆ Driven by AC electric motor in single phase and three phase power supply
- ◆ No electronic board or control device require
- ◆ Full aluminum die casting construction
- ◆ Durable & high efficiency
- ◆ Less maintenance cost
- ◆ Able to handle 3 nozzles in simultaneous
- ◆ Compatible to all vapor recovery system
- ◆ Full service parts support
- ◆ Designed for UL and ATEX standard

▶ **Specifications:**

Horsepower: 1/5 HP  
 Voltage: 220V single phase / 380V three phase  
 Hertz: 50/60Hz  
 RPM: 1450 RPM  
 Maximum Capacity: 120 LPM  
 Inlet/Outlet diameter : 3/4 φ  
 Ambient Temperature: -35°C to 65°C

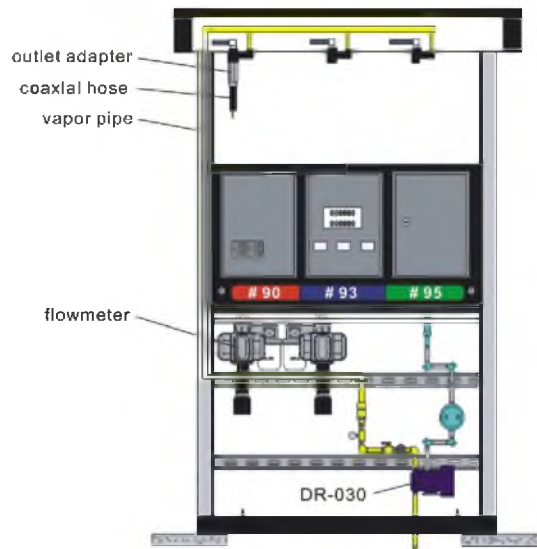
▶ **Installation Instruction:**

One pump isrequired to mount on a bracket and attached on the frame of the dispenser. Wiring direct connect to power supply in conjunction with nozzle hook signal to turn on the motor. A simple circuit board with relay control to handle the nozzle hook up signal is required.

DR-030 pump will work at optimum Vacuum level 90" W.C. and will produce max capacity of vapor return in 120 lpm when dispenser operating 3 nozzles in simultaneous.

▶ **Features:**

- ◆ High durability as it is a full aluminum die cast construction and able to work under extreme tough conditions in various temperature and climate; mishandling, last long running without lubricant.
- ◆ Simple and easy installation driven by A/C power in 1phase 220V or phase 380V. One pump one dispenser to guve you maximum capacity and efficiency.
- ◆ Easy for maintenance and big saving for long term.
- ◆ No external electrical and electronic parts.
- ◆ Simple mechanism using only vane and rotor to pull vacuum and minimize cost of spare parts.

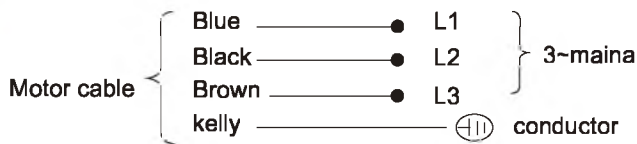


▶ **AILE<sup>®</sup> DR-030**



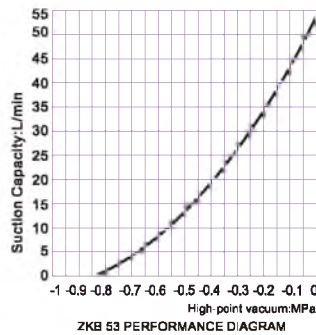
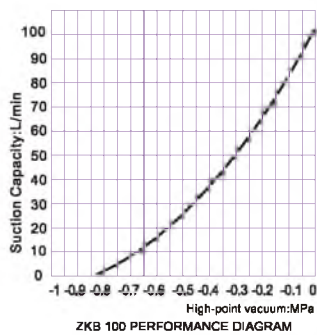
## VRVP Vapor Recovery Vacuum Pump

- ▶ AILE brand VRVP Series gasoline vapor recovery vacuum pump is a relatively consummate pump for gasoline vapor recovery system, it can work between the temperature of minus 40 degrees and 60 degrees, and can be used alone or as a part of the system in gas stations. In the Gasoline vapor recovery system, the pump is mainly used for collecting gasoline vapor so to lower the pollution and save resources. As the environment pollution goes from bad to worse and the requirement for efficient use of resources increases persistently, gasoline vapor recovery vacuum pump will be used extensively in this area.
- ▶ Electrical connection of appliance with 3~electrical motor



Note: There are 4 wires in 4 colors in ZKB-100 and ZKB-53

- 1) The Blue, Black, Brown wires connect for 380 Voltage power.
- 2) The Kelly one connects the ground.



### Features:

- ◆ The characteristics of VRVP Series gasoline vapor recovery vacuum pump as follows:
- ◆ There fixed a pump shaft that is driven by the electromotor and is connected by a brace to a pole that link to a piston which can move up and down freely in a bush inside the pump.
- ◆ Above the piston, there is a seat assembly which includes a non return inlet valve and outlet valve for the gasoline vapor, and the above mentioned valves are linked to the pump inlet and outlet chamber respectively. What we need to do is to connect the pump inlet chamber with a pipe to the vapor recovery adapter, and connect the adapter to the refueling nozzle with a soft, double wall tube.

### Ordering Specifications:

Model	VRVP-100	VRVP-53
Power (w)	370	370
Suction Capacity (L/m)	100	53
Vacuum Pressure (Mpa)	-0.09	-0.09
Rotation Speed (RPM )	2800	2800
Volitage (V)	380 ± 10%	380 ± 10%
Weight (KG)	18	15
Dimension (mm)	450x163x205	310x163x205
Ex Marking	Ex dIIAT3	Ex dIIAT3
Ex Certificate Number	GYB081008	GYB081008

### ▶ AILE<sup>®</sup> VRVP



Blank page with horizontal dashed lines for writing.



**Our Sincerely and innovated service,  
Throughout the world.**



**Let AILE march to the world and be  
known by the same.**